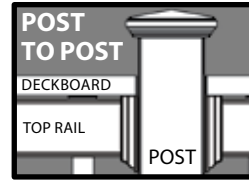
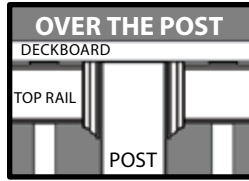


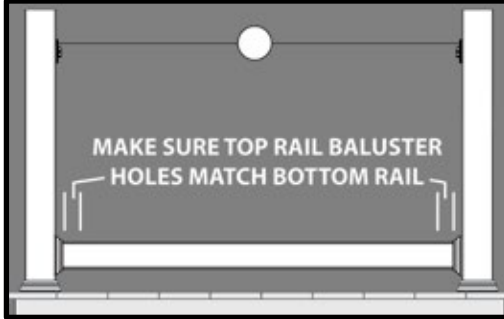


INSTALLATION GUIDE
V215 VINYL RAILING

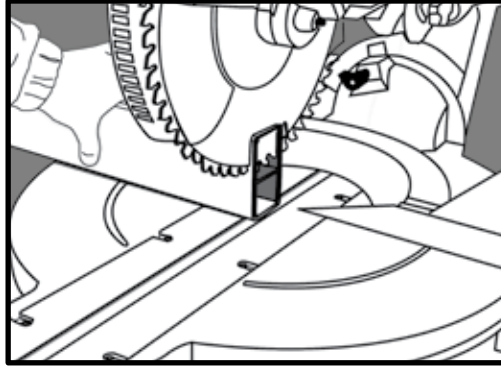
DECK BOARD CAP RAIL



It is the responsibility of the installer to meet or exceed all code and safety requirements, and to obtain all required building permits. These instructions are only a guide and may not address every circumstance. The deck and railing installer should determine and implement appropriate installation techniques for each situation. **FAIRWAY shall not be held liable for improper or unsafe installations.**



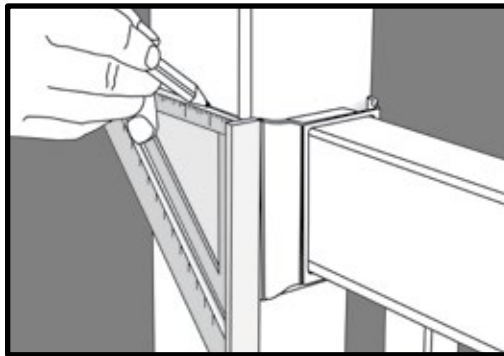
TOP RAIL - Measure between black mounting brackets. If post is plumb, top rail should be same length as bottom rail. **Make sure distance from baluster pocket to post on each end is the same for both top and bottom rail.**



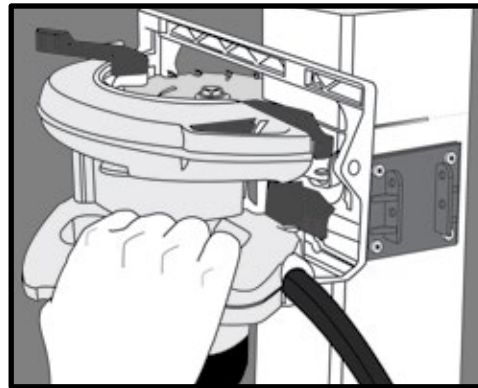
Cut top rail including aluminum insert to length to match bottom rail. **Cut vinyl rail and aluminum reinforcement at the same time.**



Slide pre-cut bracket trim ring on both ends of top rail. Insert end balusters into top rail and be sure rail slides down into black mounting brackets side guides.

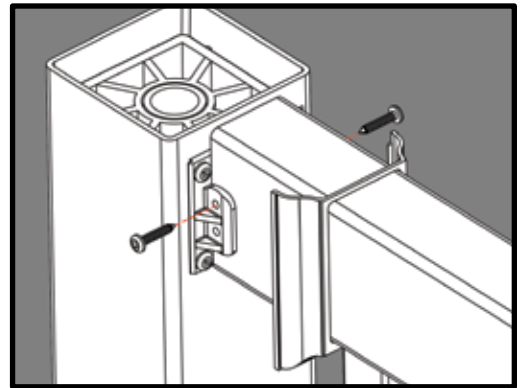


OVER THE POST ONLY
Slide pre-cut bracket trim ring up to black mounting bracket but **DO NOT LOCK BRACKET TRIM RING IN PLACE ON BLACK MOUNTING BRACKET.** Mark post at top of trim ring with a square to insure a straight line. Remove top rail, balusters and bracket trim ring.

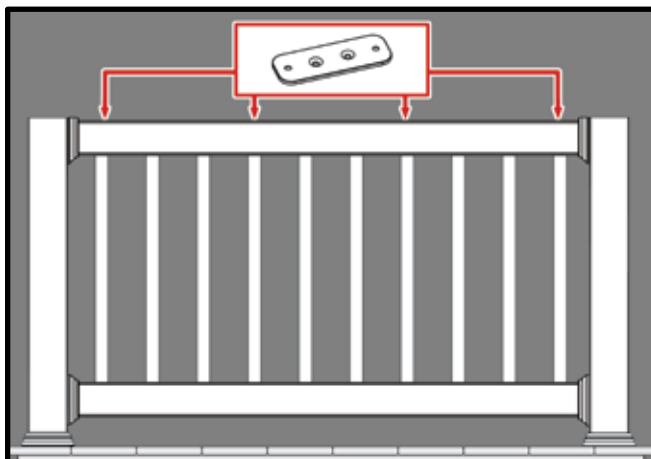


Cut mounting post at mark from previous step. Repeat on opposite post (**OVER THE POST ONLY**).

Insert all balusters into bottom rail and starting at one end of rail insert balusters into top rail. Be sure top rail slides down into black mounting brackets side guides.

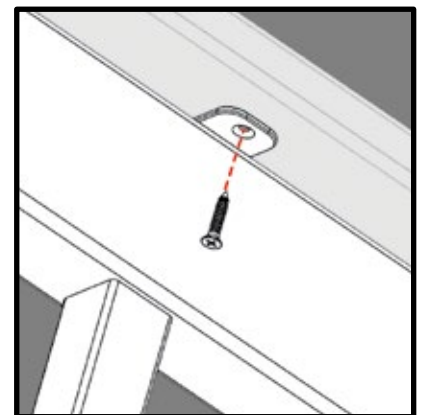
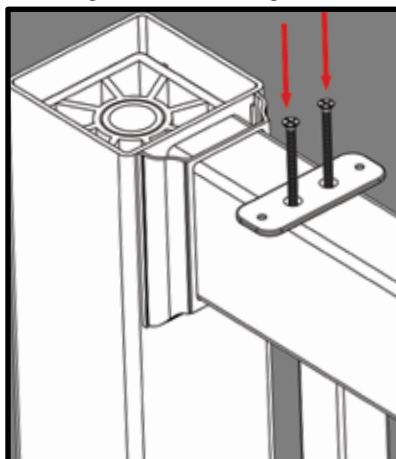


Insert one (1) #10 x 1" self-tapping pan head screw through black mounting bracket and into vinyl rail and aluminum insert. **ONLY ONE (1) SCREW PER SIDE IS NEEDED. NOTE: If bracket trim ring will not snap on, make sure mounting screws (bracket to post connection) are not over-tightened.**



Install two (2) aluminum mounting plates on top of rail 2" from each post with two (2) #8 x 2-1/2". Install remaining two (2) aluminum mounting plates at quarter points on top rail. Deck board cap rail should be installed only after all of the 2" x 3-1/2" rail sections have been installed.

See back for deck board jointing suggestions.

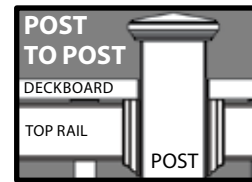
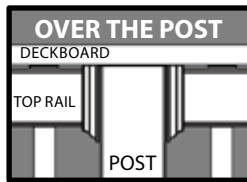


Install two (2) #10 x 3/4" square drive flat head screws in each plate through countersunk holes and into deck board. Continue this process until all deck board cap rails are installed.

INSTALLATION GUIDE

V215 VINYL RAILING

DECK BOARD *CAP RAIL*



OVER THE POST

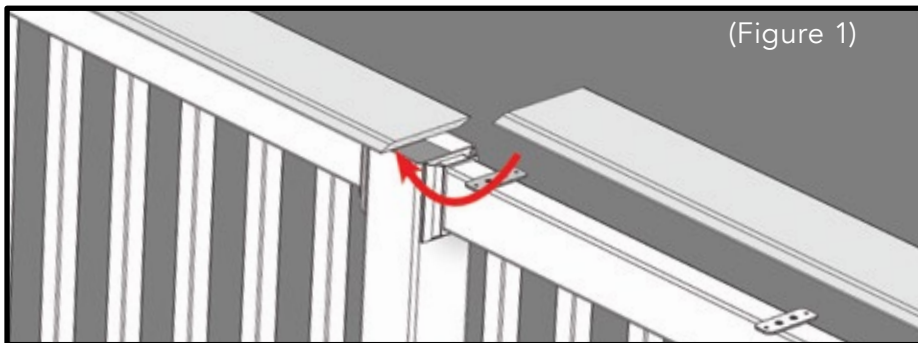
Lay out all the cap rails on top of the post to verify fit and make adjustments as required.

NOTE: Make sure that the cap rails are centered on the post tops so as not to expose the top edge of the post. If installing cap rail other than a 90° corner, make sure railing posts are set at proper angle so cap rail miter will cover top of railing post.

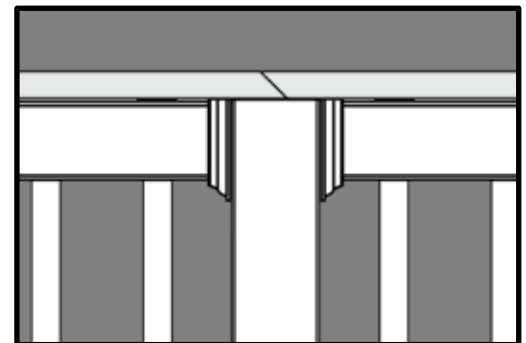
The top cap rail should be installed only after all of the 2" x 3-1/2" rail sections have been installed. Measure and plan out how the top cap rails will be installed. We recommend 45° miter joints at corners and 22 1/2° scarf joints at in-line joints when joining cap rails together. All joints should occur on top of the posts. Joints should be sealed with glue or caulk per cap rail manufacturer's specifications.

Butting Deck Board Cap Rail

The cap rail should be installed with 22 1/2° scarf joints at in-line joints when joining cap rails together. All joints should occur on top of the posts. Joints should be sealed with glue or caulk per deck board manufacturer's specifications (see Figure 1).

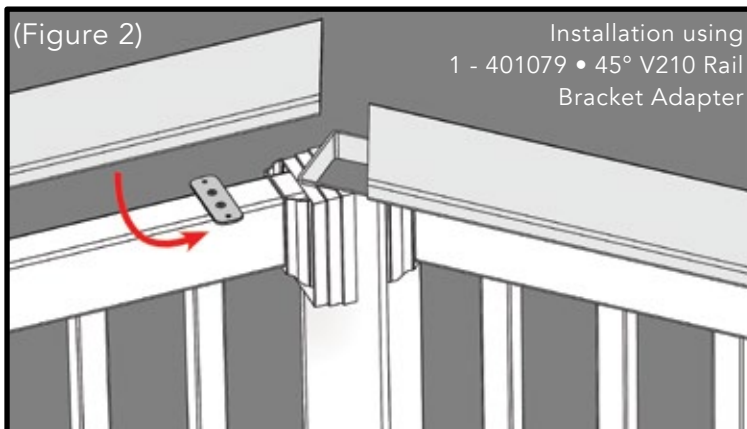


(Figure 1)



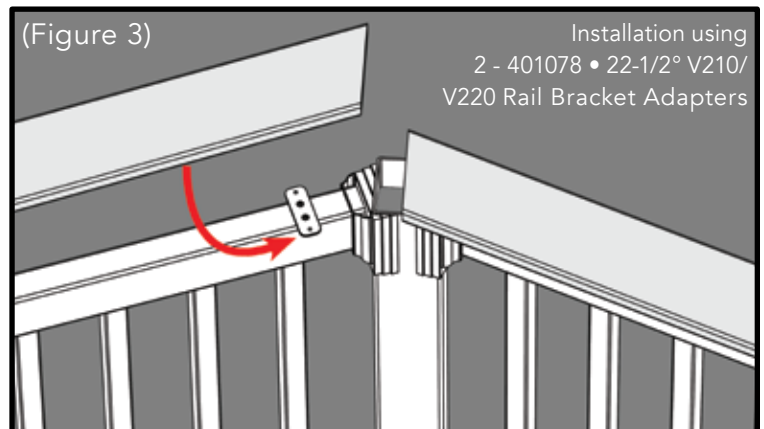
Deck Board Cap Rail w/ Bracket Adapters - 45° Corner Installation

When your installation calls for 45° corners FAIRWAY recommends laying out the deck board cap rail with extra care to insure post remains covered when 45° corner deck board cap rail is installed. FAIRWAY recommends 45° miter joints at corners. Railing bracket adapters and top of railing bracket trim ring must both be flush with top of post. All joints should occur on top of the posts and joints should be sealed with glue or caulk per deck board manufacturer's specifications (see Figures 2 and 3).



(Figure 2)

Installation using
1 - 401079 • 45° V210 Rail
Bracket Adapter



(Figure 3)

Installation using
2 - 401078 • 22-1/2° V210/
V220 Rail Bracket Adapters

Deck Board Cap Rail - End of Run

If end of run is not visible, end of deck board can be left exposed. When deck board end is visible, a short mitered piece can be used to terminate. The short piece can be fastened with glue and a trim head S.S. screw or an angle bracket on the inside channels. Remember to pre-drill cap rail to prevent splitting.

