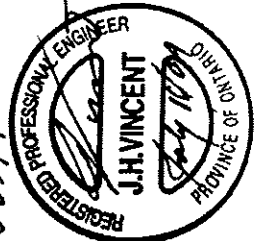
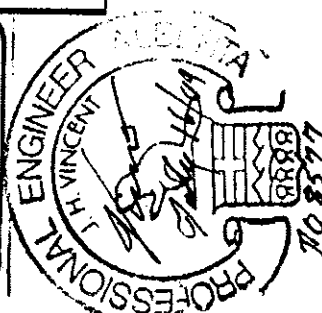
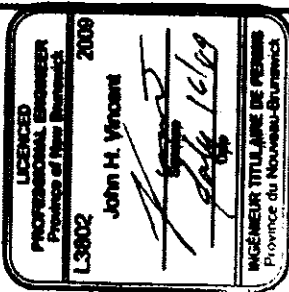
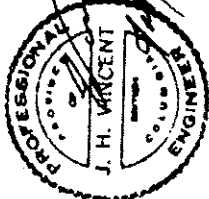


NOTES:

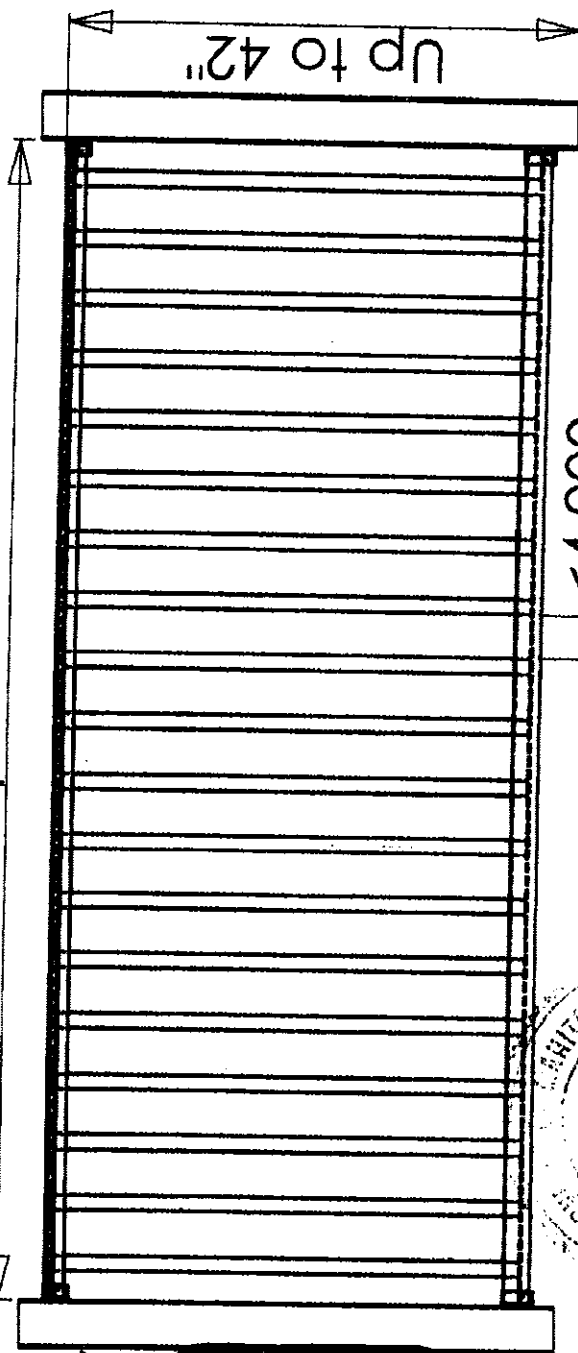
1. This product may be constructed in any configuration up to 42" in height and 96" in width.
2. This product has been designed to comply with Section R312 of the 2006 International Residential Code and Section 1013 of the 2006 International Building Code for use in One-and-Two Family Dwellings.
3. This product has been tested to comply with the 2006 International Building Code Section 1607.7.1.1 under section 1607.7.1 Exception 1.
4. This product has been designed to comply with Sections 9.8.8.3, 9.8.8.5 and 9.8.8.6.
5. This product has been tested to comply with the 2006 Ontario Building Code Section 4.1.5.15 and 9.8.8.2.



Up to 96"

Up to 42"

<4.000

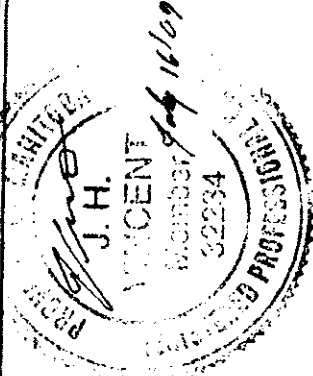


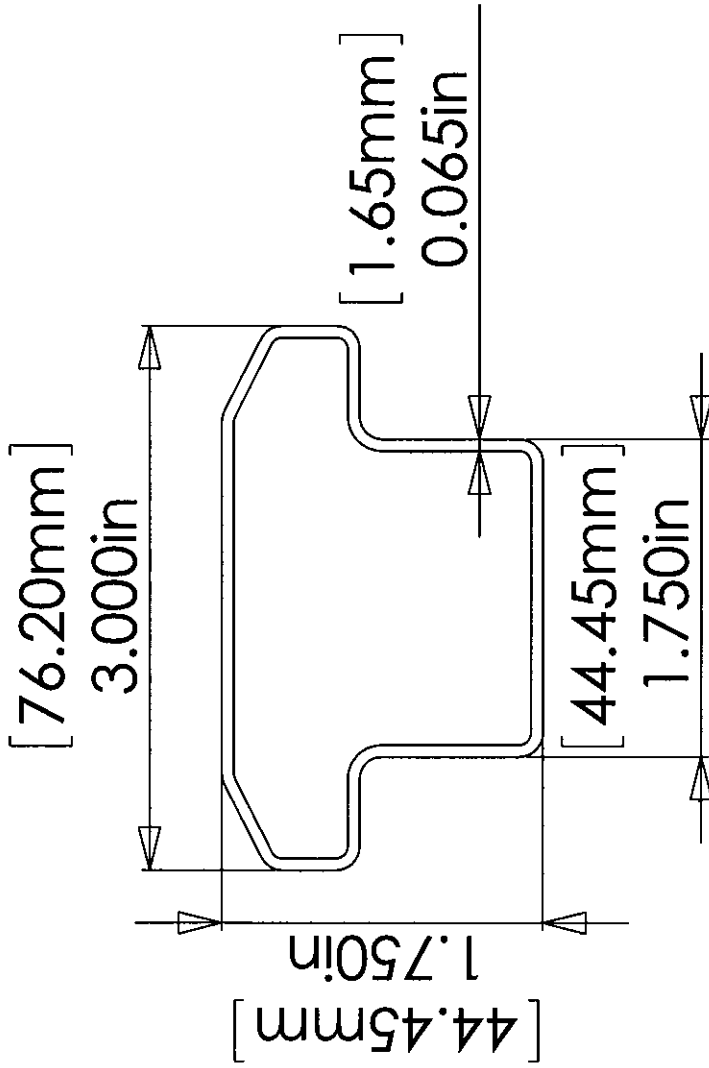
This product is covered by patent number 7,487,941B2.

Homeland Vinyl Products	
Nexus 1.75 T-Rail System	
REV	DATE
A	7/19/09

NAME	SHH	DATE	7/19/09
DRAWN		CHECKED	
BY		DATE	
SCALE		DATE	
COMMENTS			
DIMENSIONS ARE IN INCHES			
TOLERANCES FRACTIONAL			
ANGULAR TOLERANCE			
TWO PLACE DECIMAL			
THREE PLACE DECIMAL			
MATERIAL			
FINISH			
TEST ASY	USED ON		
APPLICATION	DO NOT SCALE DRAWING		

PROPRIETARY AND CONFIDENTIAL
 THE INFORMATION CONTAINED IN THIS DRAWING IS THE SOLE PROPERTY OF GRENSEIL COMPANY. ANY REPRODUCTION IN PART OR AS A WHOLE WITHOUT THE WRITTEN PERMISSION OF GRENSEIL COMPANY IS PROHIBITED.

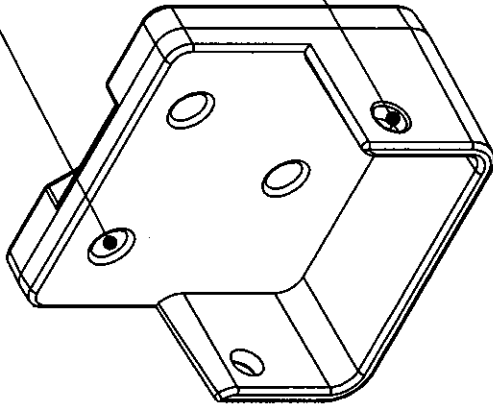




PROPRIETARY AND CONFIDENTIAL THE INFORMATION CONTAINED IN THIS DRAWING IS THE SOLE PROPERTY OF HOMELAND VINYL PRODUCTS. ANY REPRODUCTION IN PART OR AS A WHOLE WITHOUT THE WRITTEN PERMISSION OF HOMELAND VINYL PRODUCTS IS STRICTLY PROHIBITED.	DO NOT SCALE DRAWING DIMENSIONS ARE IN INCHES TOLERANCES: FRACTIONAL: $\pm .005$ ANGULAR: $\pm .01$ HOLE PLACE DECIMAL: $\pm .01$ THREE PLACE DECIMAL: $\pm .01$	HOMELAND VINYL PRODUCTS, INC. 3300 Pinson Valley Pkwy Birmingham, AL 35217 phone: 205-854-4330 fax: 205-854-3677 www.homelandvinyl.com	PART NUMBER: Nexus T Rail DRAWN BY: shathorn DRAWN DATE: 5/29/09 ENG. DATE: MATERIAL: FINISH:	CITY: Birmingham Nexus T Rail FILE NAME: nexus T rail C:\Documents and Settings\shathorn\My Documents\Work Files\New Projects\shathorn\
	20			20

#10 x 1.625"
Wood Screw-
3 typ.

#10 x .625"
Tek Screw-
2 typ.

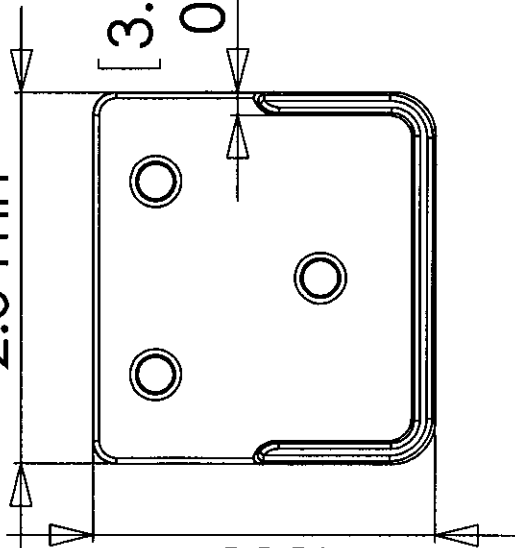


[51.84mm]

2.041in

[3.24mm]

0.128in

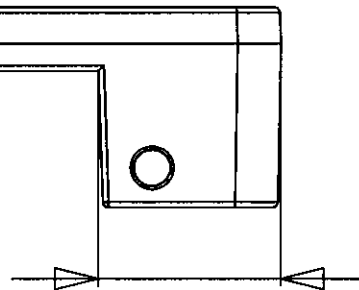


[47.45mm]

1.868in

[8.89mm]

0.350in



[25.22mm]

0.993in

PROPRIETARY AND CONFIDENTIAL
THE INFORMATION CONTAINED ON THIS DRAWING IS THE SOLE PROPERTY OF HOMELAND VINYL PRODUCTS, INC. REPRODUCTION OR TRANSMISSION IN ANY FORM OR BY ANY MEANS WITHOUT THE WRITTEN PERMISSION OF HOMELAND VINYL PRODUCTS IS STRICTLY PROHIBITED.

DO NOT SCALE DRAWING
DIMENSIONS ARE IN INCHES
TOLERANCES:
FRACTIONAL ± 1/100
DECIMAL ± 0.005
TWO PLACE DECIMAL ± 0.01
THREE PLACE DECIMAL ± 0.010



Homeland Vinyl Products, Inc.
3300 Pinson Valley Pkwy
Birmingham, AL 35217
phone: 205-854-4330
fax: 205-854-3677
www.homelandvinyl.com

REVISED BY	
DATE	
DESCRIPTION	Nexus bracket
DESIGNED BY	
ENGINEER	
CHECKED	
APPROVED	

REVISED BY	
DATE	
DESCRIPTION	Nexus Railing Bracket
DESIGNED BY	
ENGINEER	
CHECKED	
APPROVED	

Top Rail Bracket
Cover

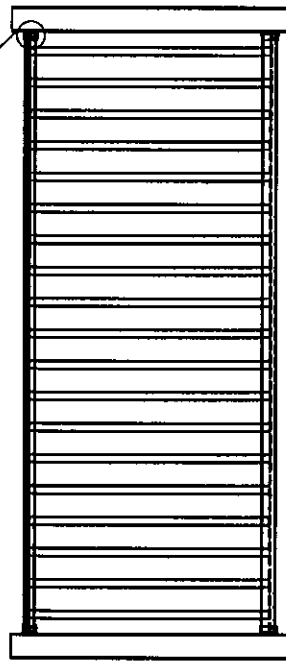
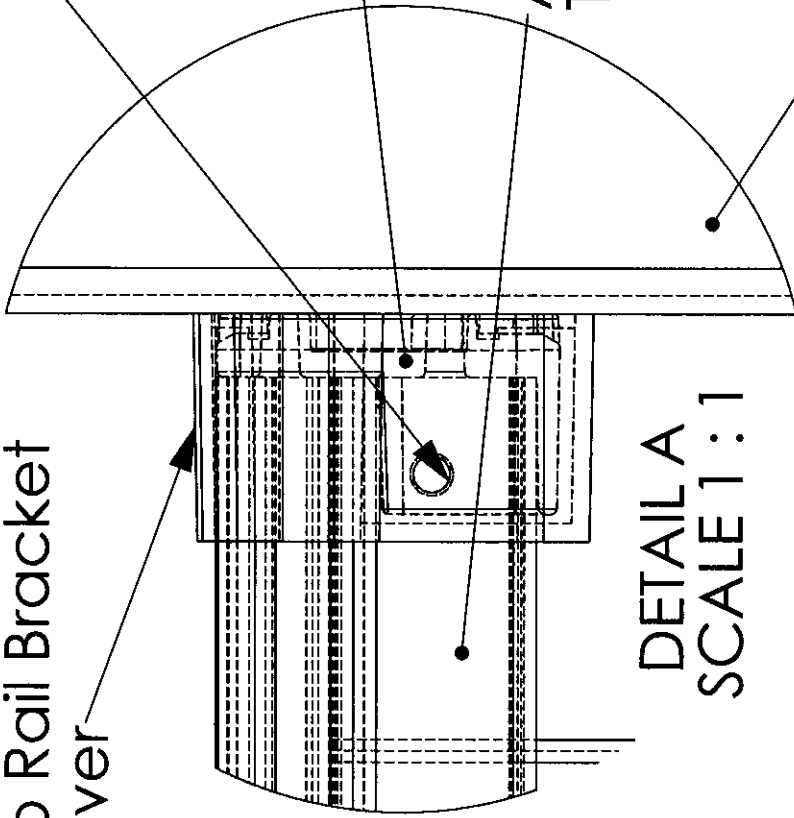
#10 x 5/8 Tek Screw
1 each side- bracket
to rail to aluminum
reinforcement attachment.

Aluminum Mounting
Bracket

Aluminum Reinforced
Top Rail

Support Post

DETAIL A
SCALE 1:1



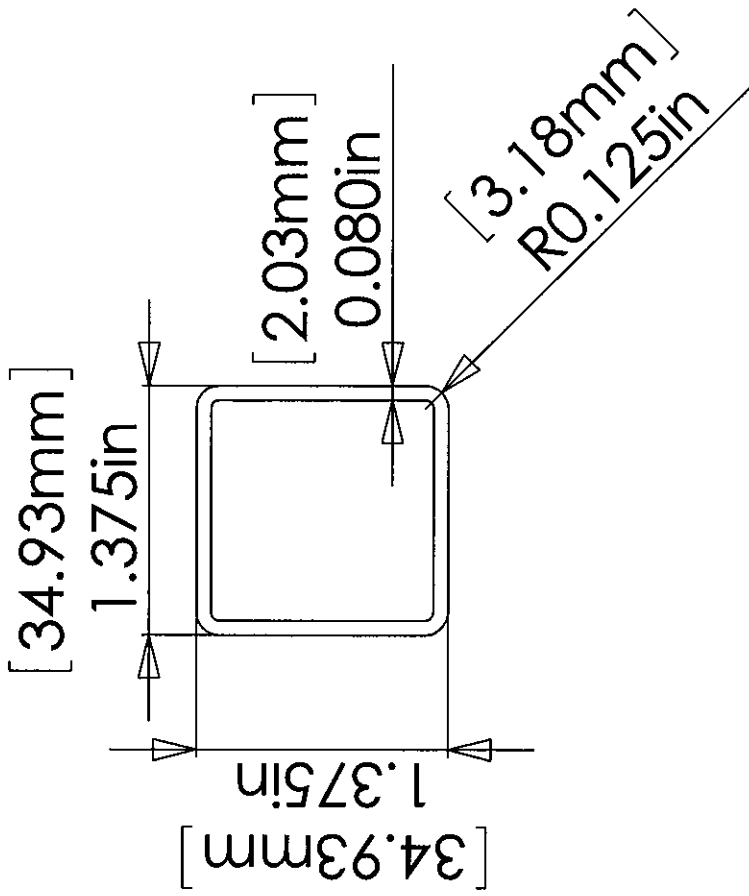
This product is covered by
patent number 7,487,941B2.

Homeland Vinyl Products	
DATE	7/19/09
NAME	SHH
DESCRIPTION	
PACKAGE	
LENGTH	
WIDTH	
QTY	
REVISIONS	
DIMENSIONS ARE IN INCHES	
TOLERANCES:	
FRACTIONAL:	BEND ±
ANGULAR/MACH:	TWO PLACE DECIMAL ±
THREE PLACE DECIMAL:	
MATERIAL:	
FINISH:	
NEAT & DRY	USED ON
APP. LOCATION	DD NOT SCALE DRAWING
SIZE	A
SCALE	AS SHOWN
REV	REV

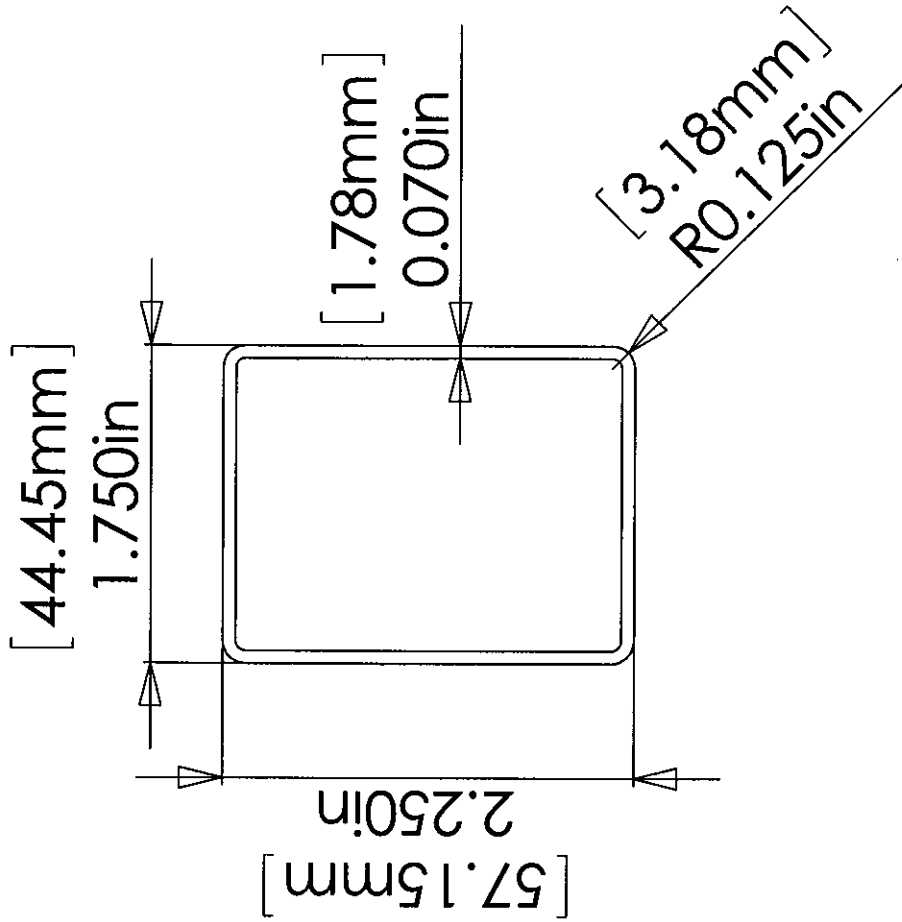
Nexus 1.75 T-Rail System

PROPRIETARY AND CONFIDENTIAL
THE INFORMATION CONTAINED IN THIS
DRAWING IS THE SOLE PROPERTY OF
KINGPOST COMPANY. NO REPRODUCTION,
REPRODUCTION IN PART OR AS A WHOLE,
WITHOUT THE WRITTEN PERMISSION OF
KINGPOST COMPANY IS PROHIBITED.

476



<p>PROPRIETARY AND CONFIDENTIAL</p> <p>THE INFORMATION CONTAINED IN THIS DRAWING IS THE SOLE PROPERTY OF HOMELAND VINYL PRODUCTS. ANY REPRODUCTION OR PARTIAL OR WHOLE REPRODUCTION WITHOUT PERMISSION OF HOMELAND VINYL PRODUCTS IS STRICTLY PROHIBITED.</p>	<p>DO NOT SCALE DRAWING</p> <p>DIMENSIONS ARE IN INCHES</p> <p>TOLERANCES:</p> <p>FRACTIONAL: 1/100</p> <p>ANGULAR: MAX ± 1°</p> <p>DECIMAL: 0.01</p> <p>THREE PLACE DECIMAL: 0.001</p>	<p>HOMELAND VINYL PRODUCTS, INC.</p> <p>3300 Pinson Valley Pkwy Birmingham, AL 35217</p> <p>phone: 205-854-4330 fax: 205-854-3677 www.homelandvinyl.com</p>	<p>DATE: 1/21/09</p> <p>BY: [Signature]</p>
<p>DESCRIPTION</p> <p>1.375 picket .080</p>	<p>PROJECT: PUN</p> <p>1.375x1.375 13.75" picket</p>	<p>HOMELAND VINYL PRODUCTS, INC.</p> <p>3300 Pinson Valley Pkwy Birmingham, AL 35217</p> <p>phone: 205-854-4330 fax: 205-854-3677 www.homelandvinyl.com</p>	<p>DATE: 1/21/09</p> <p>BY: [Signature]</p>
<p>PROPERTY</p> <p>shathorn</p>	<p>DATE</p> <p>1/21/09</p>	<p>PROJECT</p> <p>PUN</p>	<p>DATE</p> <p>1/21/09</p>
<p>MATERIALS</p> <p>PVC Rigid</p>	<p>WEIGHT</p> <p>0.227</p>	<p>SCALE</p> <p>1:1</p>	<p>SCALE</p> <p>1:1</p>
<p>REVISIONS</p>	<p>REVISIONS</p>	<p>REVISIONS</p>	<p>REVISIONS</p>



<p>PROPRIETARY AND CONFIDENTIAL</p> <p>THE INFORMATION CONTAINED IN THIS DRAWING IS THE SOLE PROPERTY OF HOMELAND VINYL PRODUCTS. ANY REPRODUCTION OR PARTIAL REPRODUCTION OF THIS DRAWING WITHOUT THE WRITTEN PERMISSION OF HOMELAND VINYL PRODUCTS IS STRICTLY PROHIBITED.</p>	<p>DO NOT SCALE DRAWING</p> <p>DIMENSIONS ARE IN INCHES</p> <p>TOLERANCES:</p> <p>FRACTIONAL ± 1/100</p> <p>ANGULAR: MAG ± 1°</p> <p>DEC. PLACE DECIMAL ± 0.01</p> <p>THREE PLACE DECIMAL ± 0.010</p>	<p>Homeland Vinyl Products, Inc. 3300 Pinson Valley Pkwy Birmingham, AL 35217</p> <p>phone: 205-854-4330 fax: 205-854-3677 www.homelandvinyl.com</p>	<p>HOMELAND VINYL PRODUCTS, INC.</p>	<p>REV. 09/2008</p> <p>1.75X2.25 Rail</p> <p>DATE: 1/21/09</p> <p>BY: [Signature]</p> <p>FILE NAME: 1.75x2.25 profile.cad</p> <p>C:\Documents and Settings\unhansen\My Documents\Work Files\New Projects\Rail\1.75x2.25</p>
---	---	--	---	--