

# V110 Vinyl Railing

## Level Installation Guide

It is the responsibility of the installer to meet or exceed all code and safety requirements, and to obtain all required building permits. These instructions are only a guide and may not address every circumstance. The installer should determine and implement appropriate installation techniques for each situation. **Fairway Building Products shall not be held liable for improper or unsafe installations.**

**NOTE: When installing V110 Level Railing Kit with Square or Turned Balusters use Installation Guide and Template included with kit.**

### Step 1

Review all local building codes.  
Wear proper safety equipment.

### Step 2

Plumb all posts or mounting surfaces, install optional post trim at this time.  
Determine required bottom rail height from deck surface to bottom of rail based on local building codes.  
Deduct 1/8" and mark post with a pencil.  
Place bottom of bottom bracket on this line, centered on post.  
Install bracket with three (3) #8 x 1-1/2" screws.  
Repeat this step on other post.

### Step 3

Measure distance between finished posts or mounting surfaces.  
Deduct 3/4" from total length to allow for mounting brackets.  
Mark bottom rail to correct length.  
Ensure there is equal & maximum distance from baluster holes on both ends.  
Cut bottom rail and aluminum fill to length.  
Cut top rail the same, ensuring baluster holes line up.  
NOTE: Ensure bottom aluminum channel is inserted into rail with the DEEP SIDE of channel facing the BALUSTER SIDE of rail.

### Step 4

Place bottom rail, crush block down, into bottom brackets on posts.  
Ensure crush block is the correct height, making contact with the deck.  
Install two (2) #10 x 3/4" self-drilling screws through holes in both sides of each bracket, securing bottom rail in place.

### Step 6

Insert balusters into bottom rail.  
Place top rail onto balusters, starting from one end.

### Step 7

With top rail seated on balusters, slide a bracket into position on end of top rail and mark position. Remove bracket and push top rail to the side and install top bracket with three (3) #8 x 1-1/2" screws. Repeat on other side.

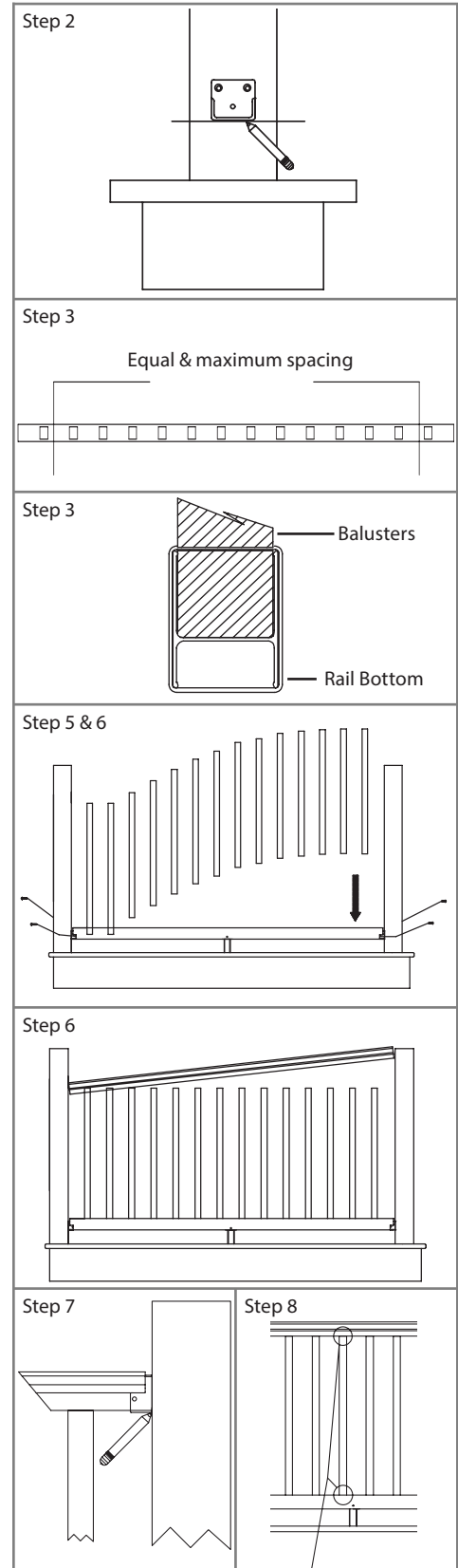
### Step 8

Set top rail into brackets and install two (2) #10 x 3/4" self-drilling screws through holes in both sides of each bracket, securing top rail in place.

**Carefully bend bracket cover and install cover over brackets.**

Adjust post height, if necessary, and install post caps with PVC glue.

**NOTE:** For additional security of your railing, you may elect to use the two (2) remaining #10 x 3/4" color matched screws (supplied) using the following steps. Make certain balusters are inserted against aluminum inserts. At the center baluster, measure up from bottom of Top Rail 1/2" at center of baluster and install one (1) #10 x 3/4" color matched screw through side of rail into baluster. Next, measure down, from top of the Bottom Rail 1/2" at center of the same baluster and install one (1) #10 x 3/4" color matched screw through side of rail into the baluster.



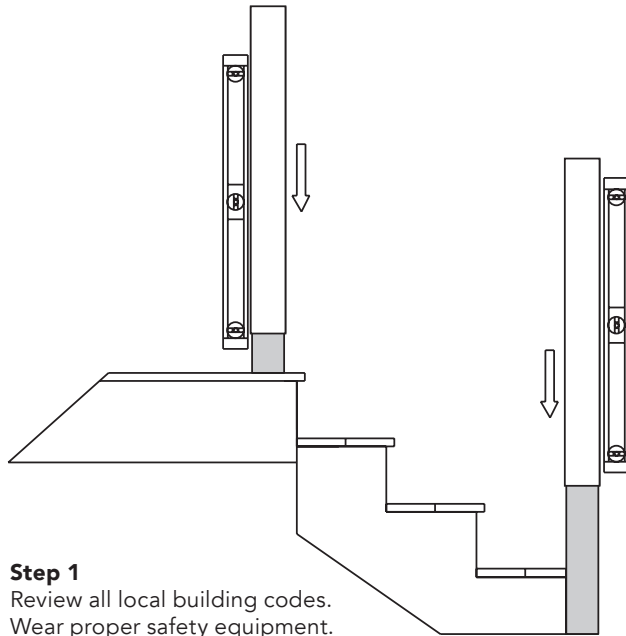
# V110 Vinyl Railing

## Stair Installation Guide



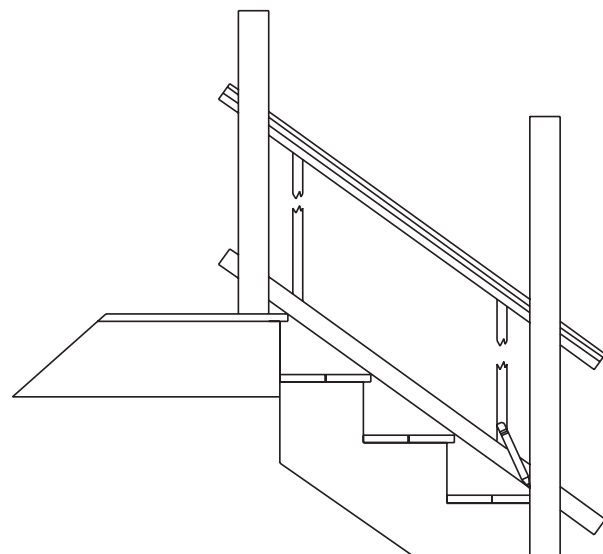
ⓘ It is the responsibility of the installer to meet or exceed all code and safety requirements, and to obtain all required building permits. These instructions are only a guide and may not address every circumstance. The installer should determine and implement appropriate installation techniques for each situation.

**The manufacturer shall not be held liable for improper or unsafe installations.**

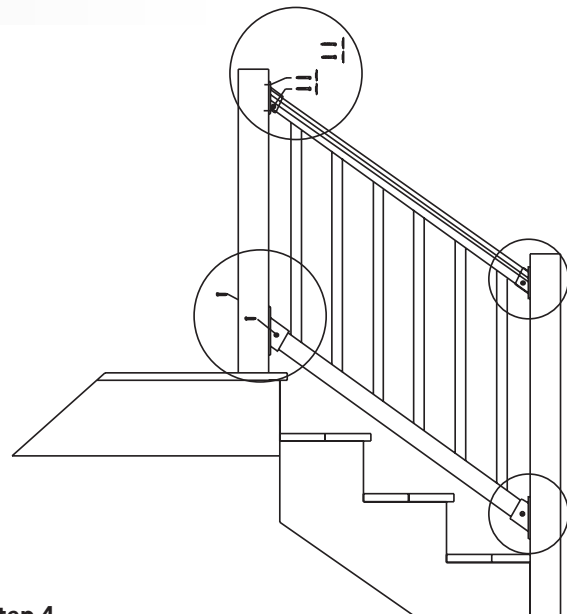


**Step 1**  
Review all local building codes.  
Wear proper safety equipment.

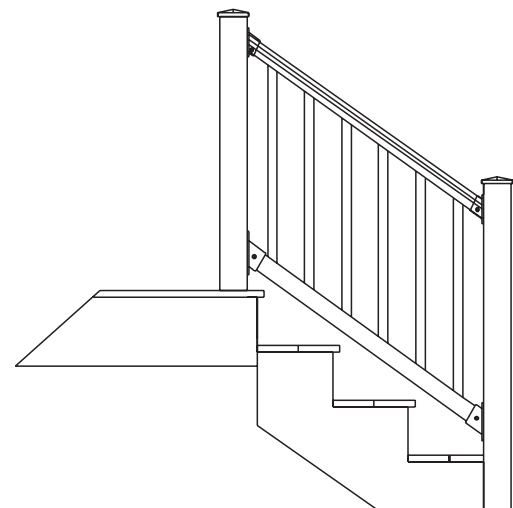
**Step 2**  
Plumb mounting post.  
Sleeve mounting post. If using a one-piece base trim ring, be sure to install before sleeve.



**Step 3**  
NOTE: See local building codes for height and space limitations. Lay bottom rail against post resting on stair and deck nosing. Balance out spacing between post and closest baluster with equal and maximum distance. Mark bottom rail where it intersects with posts (Top & Bottom).  
If posts are plumb, top rail will be the same length. Make certain spacing matches bottom rail and mark. Cut rails with a saw. You may cut both vinyl and aluminum at the same time.



**Step 4**  
With rails cut to length, slide mounting bracket on rail ends. Set bottom rail between posts, adjust height between rail and nosing and center flange on post. Install four (4) #8 x 1-1/2" S.S. screws in both mounting brackets. Insert balusters in pre-routed holes in bottom rail. NOTE: in some cases, it may be necessary to cut out some of the mounting bracket flange if covering the baluster hole. Set top rail between posts and insert balusters in matching holes on bottom rail. (Start at the bottom of stair run and work up) With all balusters inserted, center mounting flange on post and install screws same as bottom brackets.  
With all mounting screws installed, snap screw covers over screw holes. Next, install two (2) per bracket, #10 x 3/4" self-drilling, color matched screws through the side of the bracket (Top & Bottom rails) into the rail to lock in place. Make certain baluster spacing is equal before installing.



**Step 5**  
With rail mounted in place, measure and mark post sleeves. Cut post to height with a saw and clean edge of cut. Apply a small bead of silicone to the inside edge of post cap and install on top of sleeve (let set 12 hours for adhesive to cure).