

## LEVEL PANEL INSTALLATION INSTRUCTIONS

It is the responsibility of the installer to meet or exceed all code and safety requirements, and to obtain all required building permits. These instructions are only a guide and may not address every circumstance. The deck and railing installer should determine and implement appropriate installation techniques for each situation. **The manufacturer shall not be held liable for improper or unsafe installations.**

### STEP 1 - Measure

#### Fairway S110 Steel Panel and Post Configurations

Railing Panel Height	Railing Panel Only	
	Installed Panel Height*	Required Post
28" (711mm)	X	X
34" (864mm)	37-3/4" (959mm)	39-1/2" (1003mm)
40" (1016mm)	43-3/4" (1111mm)	45-1/2" (1156mm)

\*Heights includes a 3-3/4" (95mm) space between deck surface and bottom edge of bottom rail.

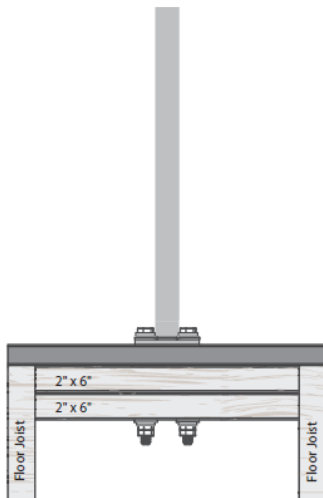
### STEP 2 - Install S100 Structural Steel Post\* (*S100 Steel post, cap & trim kit sold separately.*)

#### Fairway S100 Steel Post Installation Method for Pressure-Treated Decking, Composite Decking and Concrete Surface

- Determine placement of post on deck or concrete surface. Set post in place and mark mounting holes.
- Mount post to surface using one of the options and suggested mounting hardware listed below.  
**NOTE:** Installer must determine the proper mounting hardware based on application (*sold separately*).
- With post secured to surface, check post with a level. If the post needs to be adjusted for plumb, loosen mounting bolts and adjust with 1/4" shims (*sold separately*). Tighten mounting bolts.

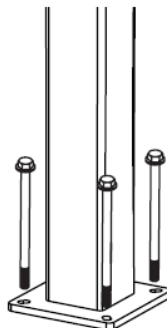
**NOTE: Wood posts can be substituted for steel posts.** (*Installation instructions not included.*)

#### WOOD DECKING

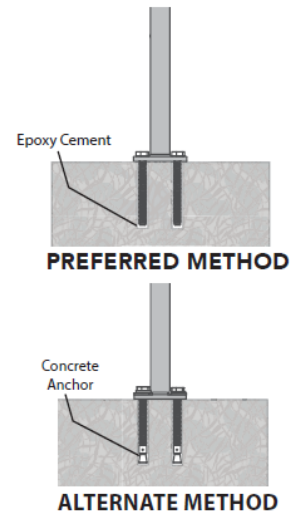


#### COMPOSITE DECKING

To achieve maximum installation strength hollow core composite or cellular PVC deck boards should be notched out around the structural post mount and the post should be installed directly to the sub-structure blocking.



#### CONCRETE SURFACES



\*For additional post installation details, please refer to the installation guide included with the S100 Post, Cap & Trim Kit.



## STEP 3 - Install Brackets *(Bracket kits sold separately.)*

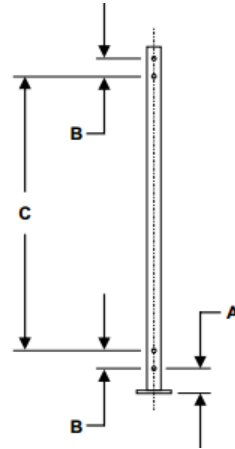
### Fairway S110 Steel Brackets

Following the measurements below, pre-drill holes using a 3/16" drill bit.

**NOTE:** Before the bracket is screwed to post, make sure to remove all metal shavings from the cut area to prevent rust stains; this includes the deck, post base cover, post and panel.

Railing Panel Height	Pre-Drill Dimensions		
	A*	B	C
28" (711mm)	X	X	X
34" (864mm)	3-1/8" (79mm)	2-1/4" (57mm)	30-3/4" (781mm)
40" (1016mm)	3-1/8" (79mm)	2-1/4" (57mm)	36-3/4" (933mm)

\*Dimension A positions bottom edge of rail 3-3/4" (95mm) above deck surface.  
 \*Dimension A is measured from the bottom surface of post base.

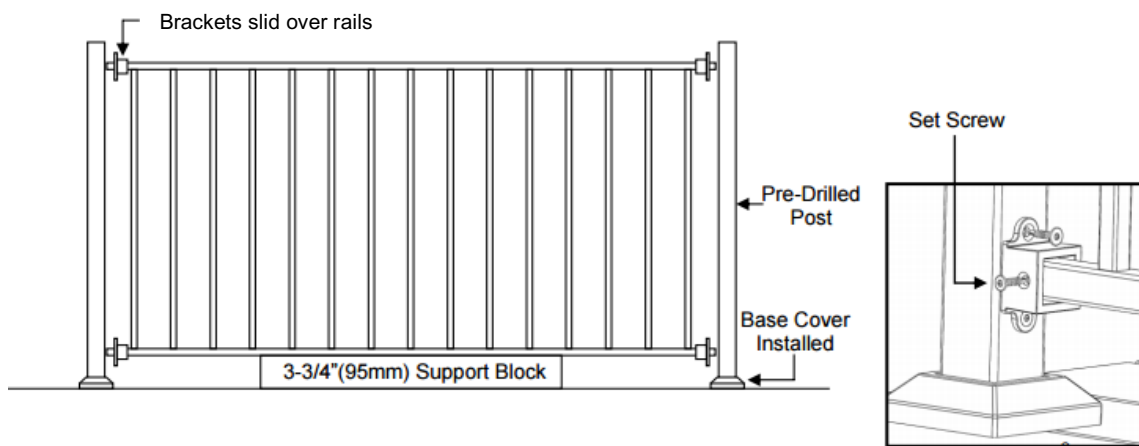


## STEP 4 - Install Panel

### Fairway S110 Steel Panel Installation

- Once rails are cut to length, file cut edges and coat with 2 coats of the zinc based touch-up paint.
- Check fit of rail between installed S100 Steel Posts.
- If using a base cover install it now by sliding it over the top of S100 Steel Post.
- Slide a bracket over the end of each rail. Make sure that all set screw holes face the desired direction.
- Place rail assembly on 3-3/4" support block between posts.
- Slide brackets to post and secure with T-25 drive thread cutting screws. Use low speed setting on drill.
- Secure rails with provided set screws at each bracket.

**NOTE:** To prevent rust stains, remove all metal shavings from the cut area; including the deck, post base cover, post and panel.



# FAIRWAY

ARCHITECTURAL RAILING SOLUTIONS



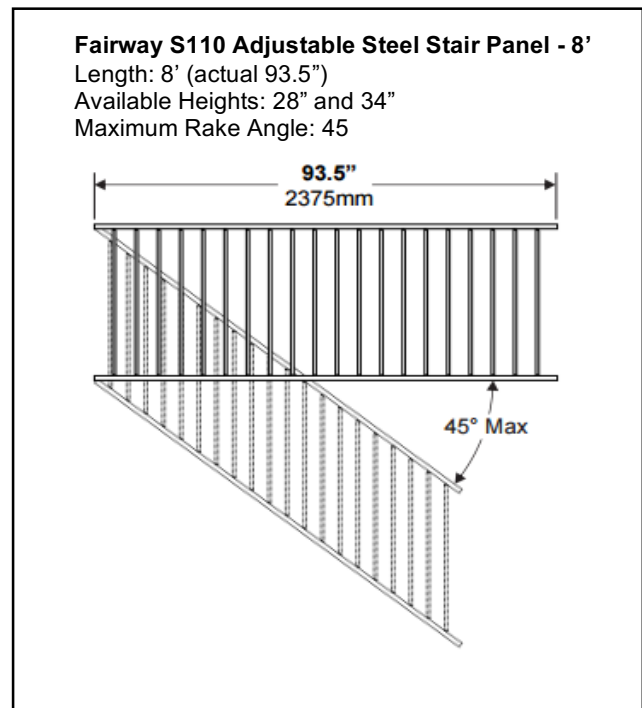
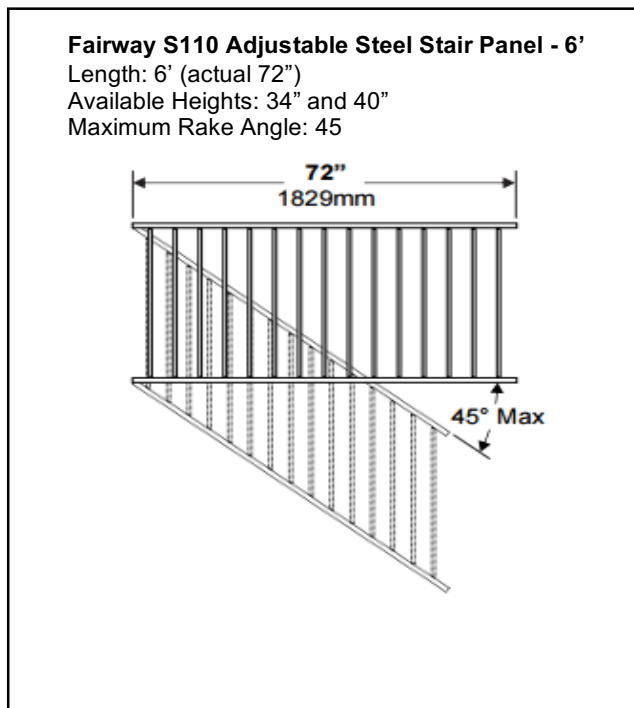
## STAIR PANEL INSTALLATION INSTRUCTIONS

It is the responsibility of the installer to meet or exceed all code and safety requirements, and to obtain all required building permits. These instructions are only a guide and may not address every circumstance. The deck and railing installer should determine and implement appropriate installation techniques for each situation. **The manufacturer shall not be held liable for improper or unsafe installations.**

### STEP 1 - Measure

#### Fairway S110 Adjustable Steel Stair Panel Configurations

**IMPORTANT** - Every stair installation will be different. The rise and run, post position and post height all need to be carefully laid out before posts are permanently installed and Fairway S110 Adjustable Steel Stair Panels are cut.



### STEP 2 - Install S100 Structural Steel Post\* (Steel post, cap & trim kit sold separately.)

#### Fairway S100 Steel Post Installation Method for Pressure-Treated Decking, Composite Decking and Concrete Surface

- Determine placement of post on deck or concrete surface. Set post in place and mark mounting holes.
- Mount post to surface using one of the options and suggested mounting hardware listed below.  
**NOTE:** Installer must determine the proper mounting hardware based on application (*sold separately*).
- With post secured to surface, check post with a level. If the post needs to be adjusted for plumb, loosen mounting bolts and adjust with 1/4" shims (*sold separately*). Tighten mounting bolts.

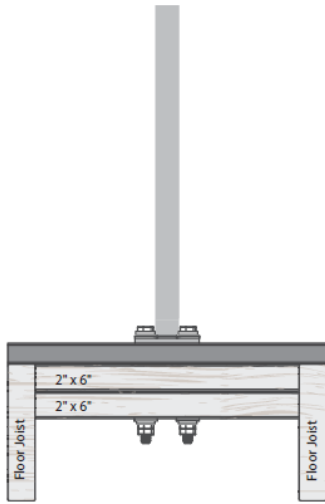
**NOTE:** Wood posts can be substituted for iron posts. (*Installation instructions not included.*)

# FAIRWAY

ARCHITECTURAL RAILING SOLUTIONS

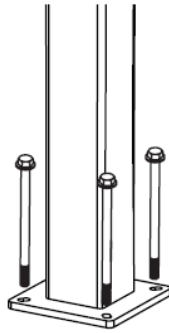


## WOOD DECKING

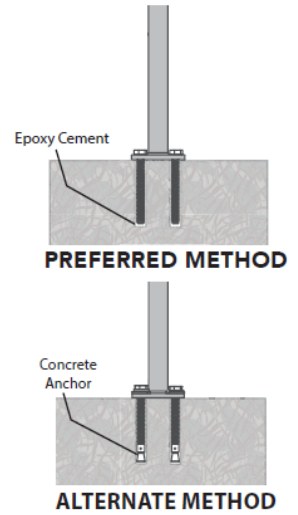


## COMPOSITE DECKING

To achieve maximum installation strength hollow core composite or cellular PVC deck boards should be notched out around the structural post mount and the post should be installed directly to the sub-structure blocking.



## CONCRETE SURFACES

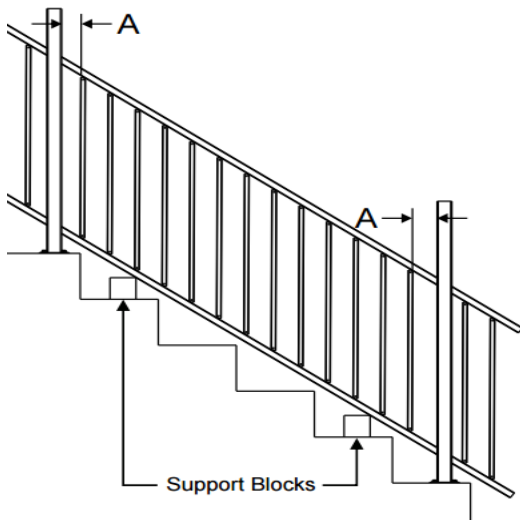


\*For additional post installation details, please refer to the installation guide included with the S100 Post, Cap & Trim Kit.

## STEP 3 - Determine Rake and Center Panel Between Posts

### Fairway S110 Adjustable Steel Stair Panels

- Use the S110 Adjustable Steel Stair Panel to determine the angle of stair installation. To do this use support blocks resting on the stair tread. Position support blocks so that the position of the bottom rail meets the spacing requirement of your building code.
- Rake the panel so that the balusters run parallel with the posts. Center the balusters so that there is an equal amount of rail between the post and baluster at each end (Dimension A).
- Make sure that there is enough clearance between the post and first picket to allow for the bracket.
- Mark location of support blocks.

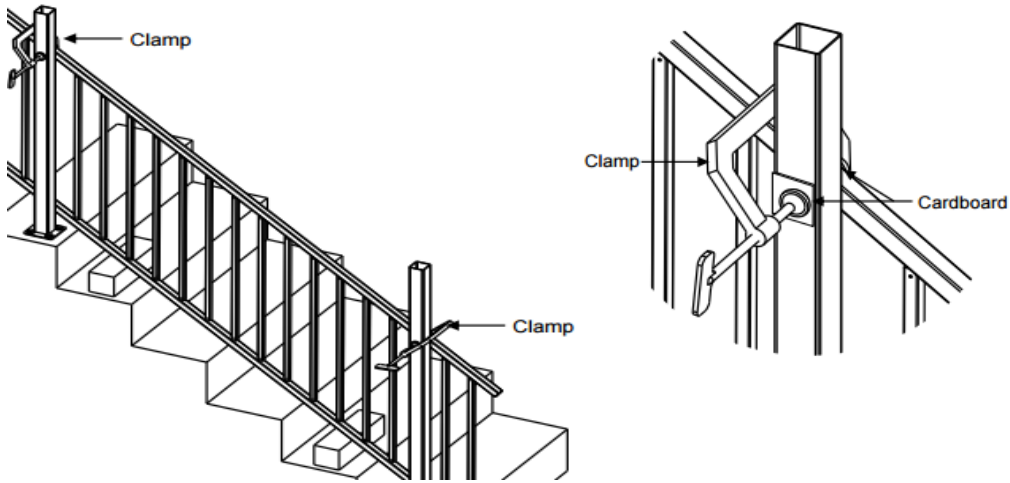




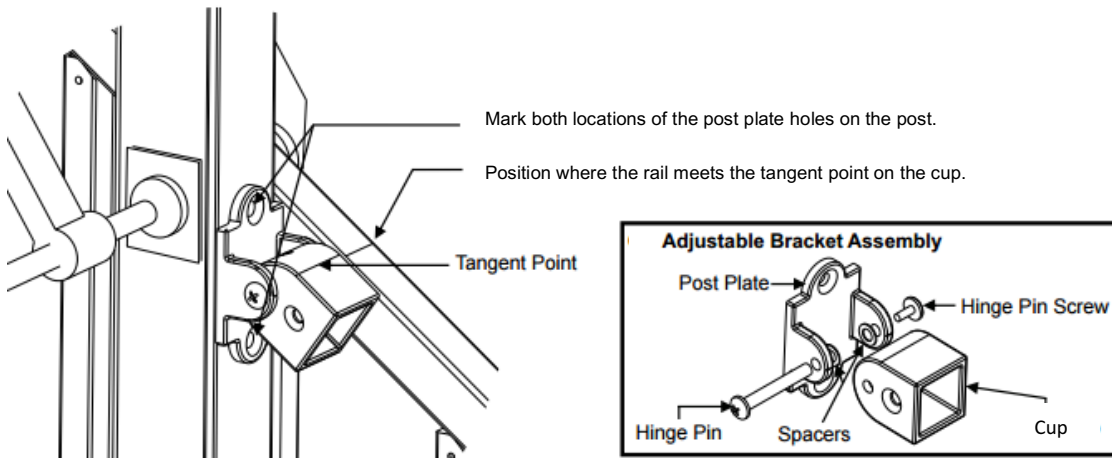
## STEP 4 - Verify Panel Position and Mark Rail Length

### Fairway S110 Adjustable Steel Stair Panels

- Verify the position of the panel. With the help of another person, secure the panel into the correct position and secure with C-clamps at each end of panel.
- Place a piece of cardboard between the clamping surfaces and the surfaces of the rails and posts to protect the finish



- Place the angle bracket against post and position the cup so that it is parallel to the rail.
- With a pencil, mark the position where the rail meets the tangent point of the bracket cup on the top of the rail.
- With bracket in the same position, mark the hole locations of the post plate on the post.  
**DO NOT DRILL HOLES AT THIS TIME.**
- Repeat this step for all four angle bracket locations.



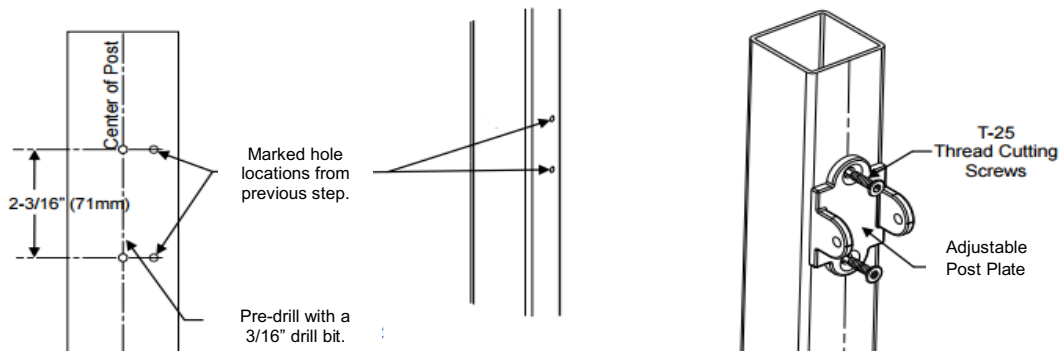


## STEP 5 - Install Brackets and Cut Panels *(Bracket kits sold separately.)*

### Fairway S110 Adjustable Steel Stair Panels and Brackets

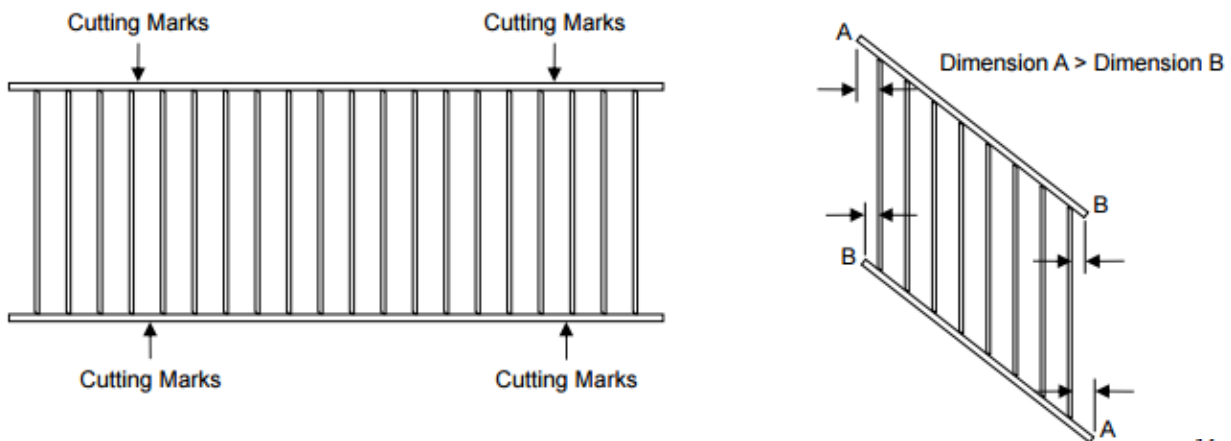
- Remove C-clamps and panels.
- Mark the centerline of each post. The brackets will be installed on the centerline, not the locations marked in the previous step.
- Use a center punch to mark the hole locations and pre-drill all bracket hole locations using a 3/16" drill bit.
- Remove hinge pin from the angle bracket kit assemblies.
- Attach the angle bracket adjustable post plates to the post with supplied T-25 drive thread cutting screws.
- Re-assemble the angle bracket kit assemblies with hinge pins

**NOTE:** To prevent rust stains, remove all metal shavings from the cut area; including the deck, post base cover, post and panel.



- Rake the panel back to 90° and lay on a flat surface.
- Using a metal cutting blade, cut the rail at the four cutting mark locations from previous step (Step 4). It is advisable to make a practice cut on a piece of scrap rail before proceeding with the finish cuts.
- **The distances from the first picket to the ends of the rail, will be different from the top to bottom rail. The greater the angle of the steps the more visible the difference will be. This is required in order to keep the baluster pickets parallel to the post.**
- File cut edges and coat with 2 coats of zinc based touch-up paint.

**NOTE:** To prevent rust stains, remove all metal shavings from the cut area including the deck, post base cover, post and panel.

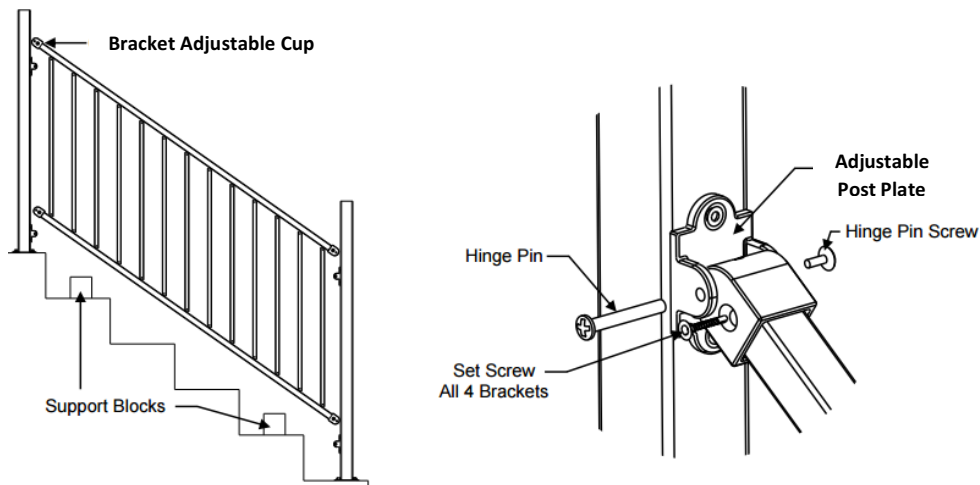




## STEP 6 - Install Panels & Bracket Spacers

### Fairway S110 Adjustable Steel Stair Panels and Brackets

- Reposition support blocks.
- Place the bracket adjustable cups over the ends of the rails.  
**DO NOT INSTALL SET SCREWS AT THIS TIME.**
- Position panel with bracket adjustable cups into the installed bracket post plates. Secure with hinge pins.
- Check the fit of the panel and make any required adjustments.
- Secure panel with a set screw installed into each bracket.



- After the S110 Adjustable Steel Stair Panel has been installed, check the fit of the panel in the brackets.
- If there is a noticeable rattle between the bracket cup and post plate you will want to install spacers.
- To install spacers, remove the hinge pin, insert the spacers between the bracket cup and post plate and replace the hinge pin.

