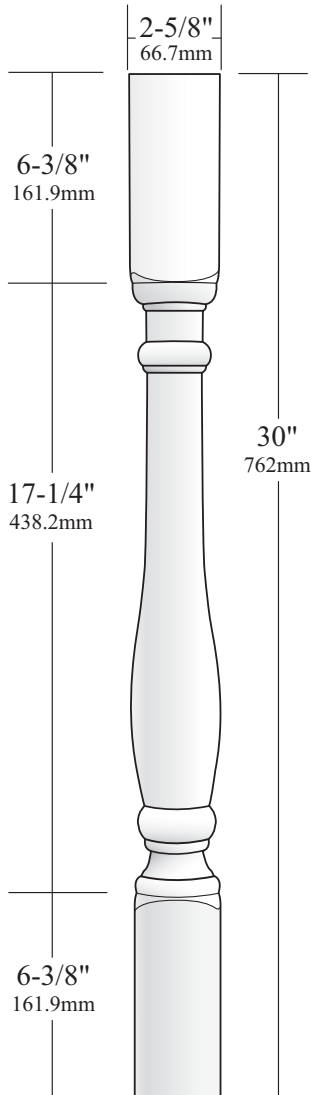
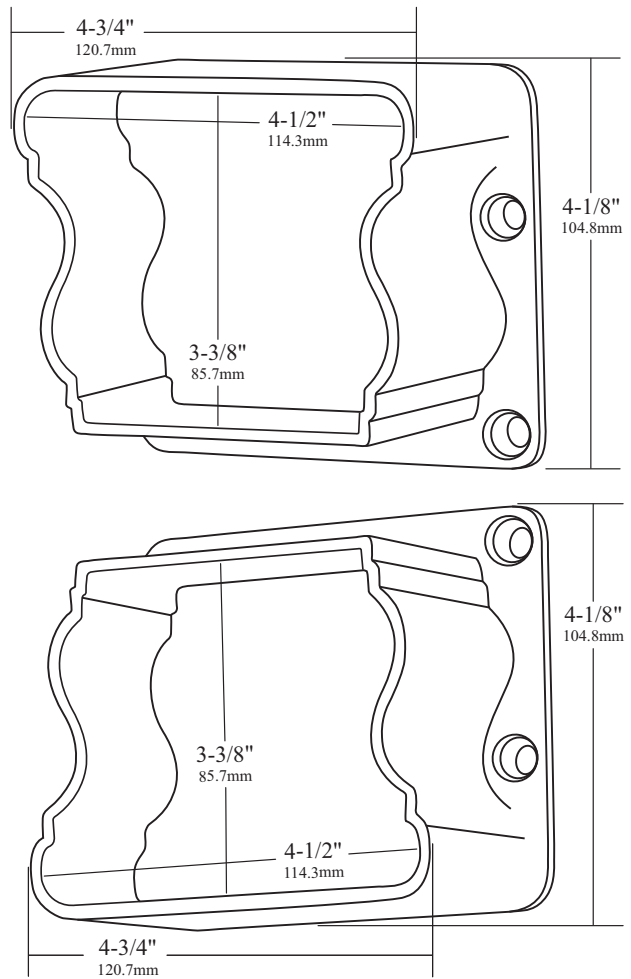


30" Legends Turned Balusters

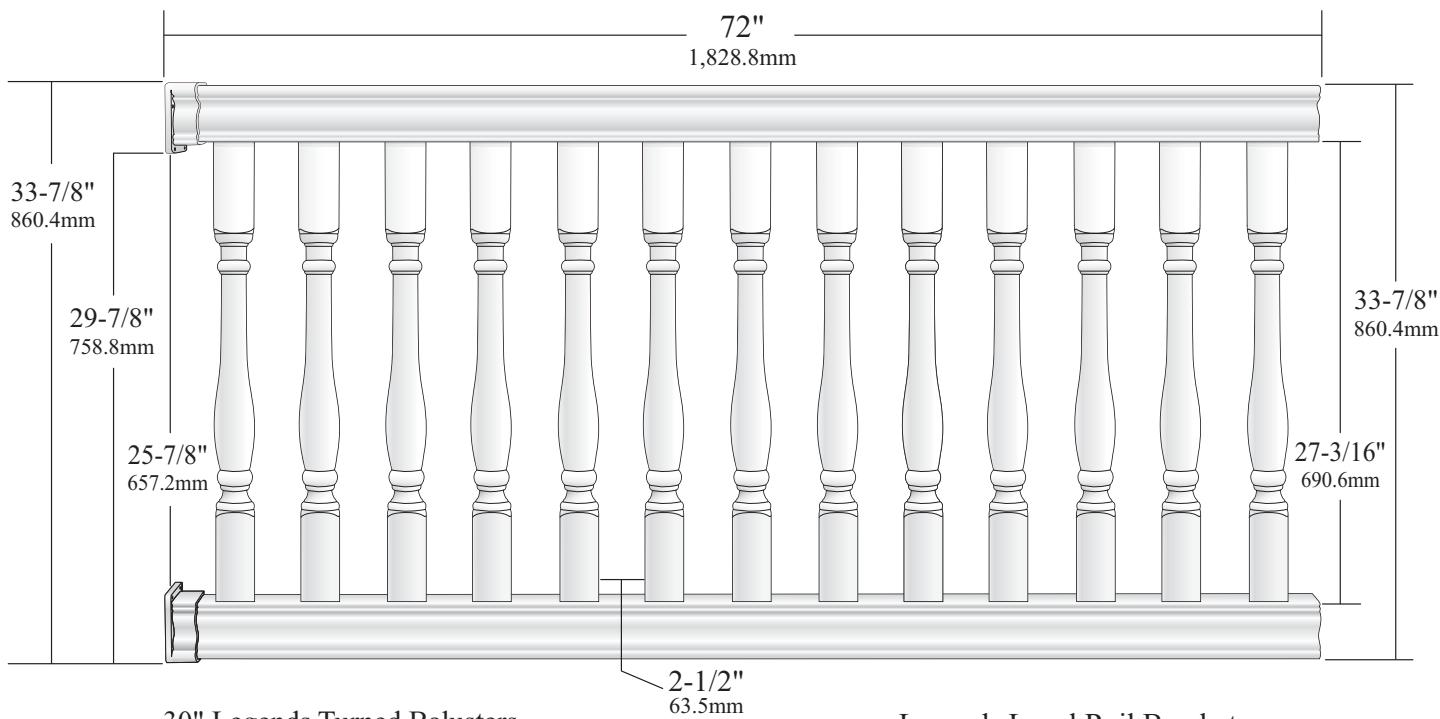


Legends Level Rail Brackets  
(Same Bracket for Top and Bottom Rails)

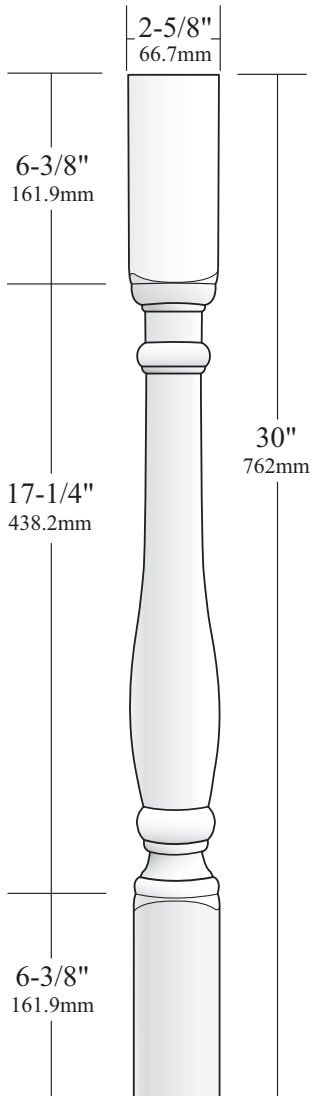


DOCUMENT TITLE:				4' Legends Level Rail System - 36" Height			
This drawing is the property of Fairway Vinyl Systems. Any hard copy of this drawing may not be current. This document and or images contained within may not be reproduced in publication format without express written consent of Fairway Vinyl Systems. Drawings may not be to scale.				FAIRWAY VINYL SYSTEMS			
P.O. Box 37 Mount Joy, Pa 17552				UCM REF# VSLE 400700 P1		REV 1	
SCALE	SHEETS	1 of 1	DRAWN BY	DATE	EVS	7-18-08	

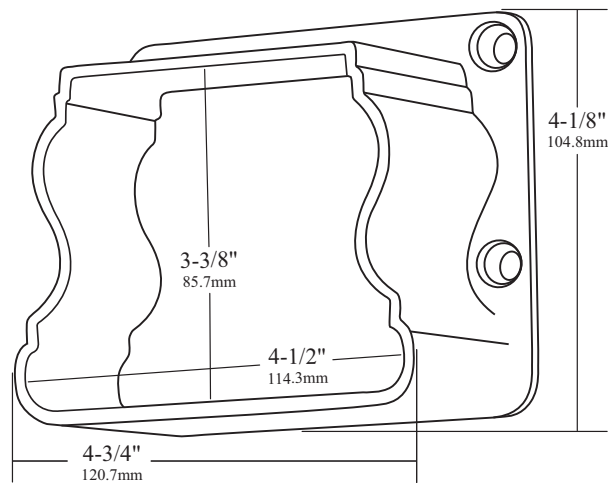
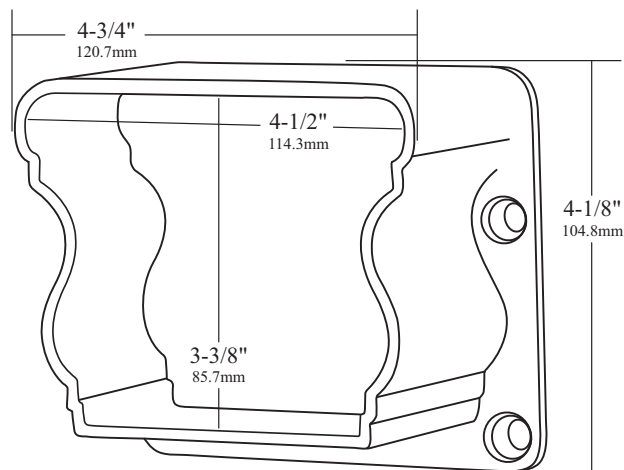
Dimensions and tolerances contained on drawings and figures are for reference only and may not encompass total allowable and approved dimensional variations.



30" Legends Turned Balusters

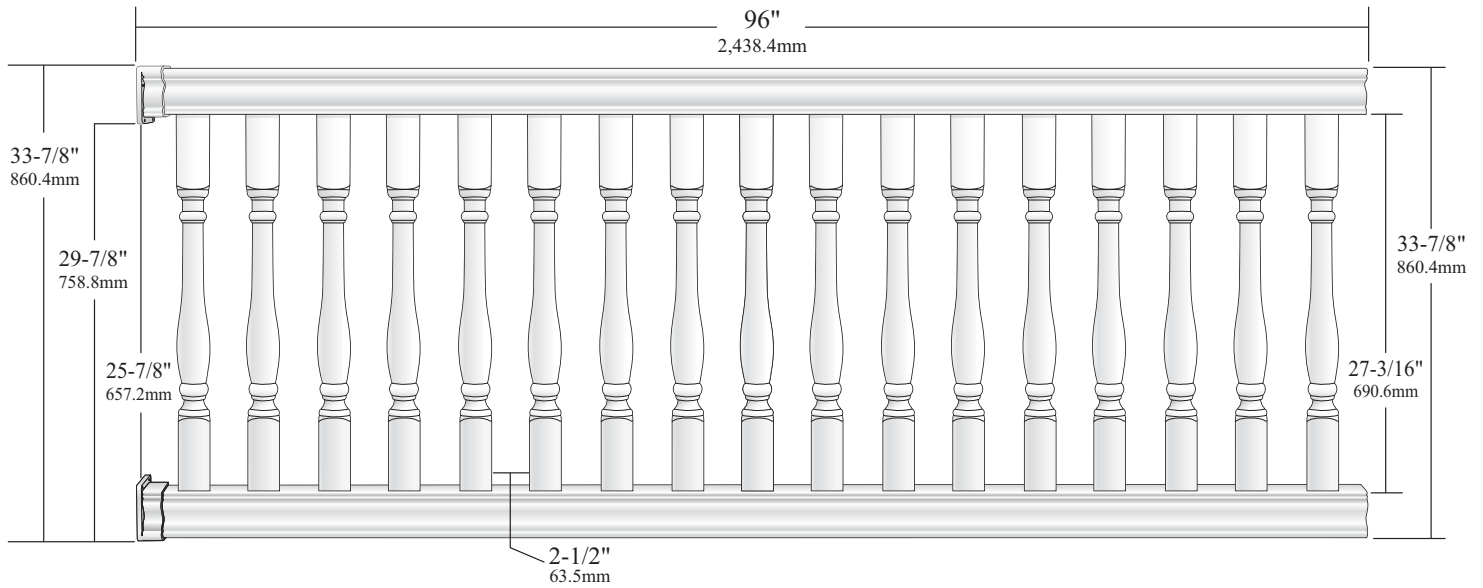


Legends Level Rail Brackets  
(Same Bracket for Top and Bottom Rails)

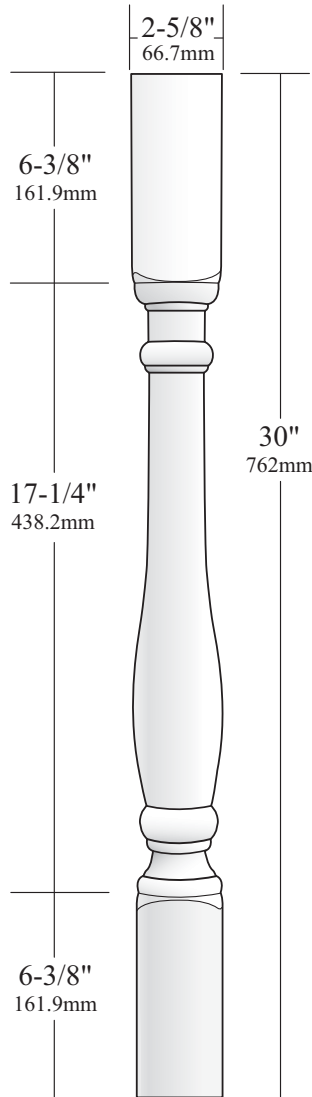


DOCUMENT TITLE:				<b>6' Legends Level Rail System - 36" Height</b>			
This drawing is the property of Fairway Vinyl Systems. Any hard copy of this drawing may not be current. This document and/or images contained within may not be reproduced in publication format without express written consent of Fairway Vinyl Systems. Drawings may not be to scale.				<b>FAIRWAY VINYL SYSTEMS</b>			
P.O. Box 37 Mount Joy, Pa 17552				UOM REF#		REV	
				VSLE 400702 P1		1	
SCALE	SHEETS	DRAWN BY	DATE				
1 of 1	FVS		7-18-08				

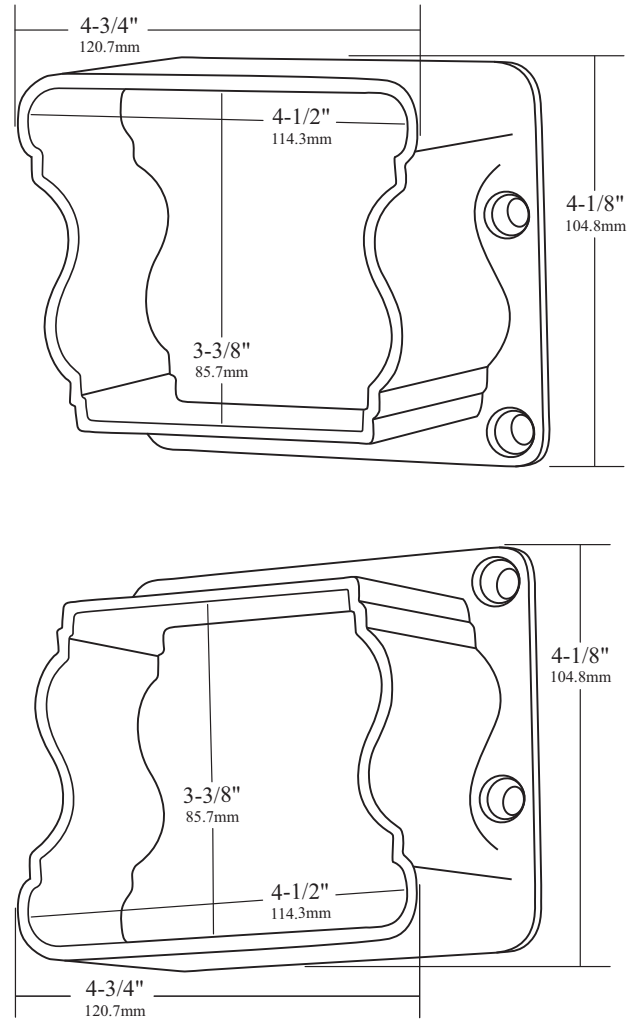
Dimensions and tolerances contained on drawings and figures are for reference only and may not encompass total allowable and approved dimensional variations.



30" Legends Turned Balusters

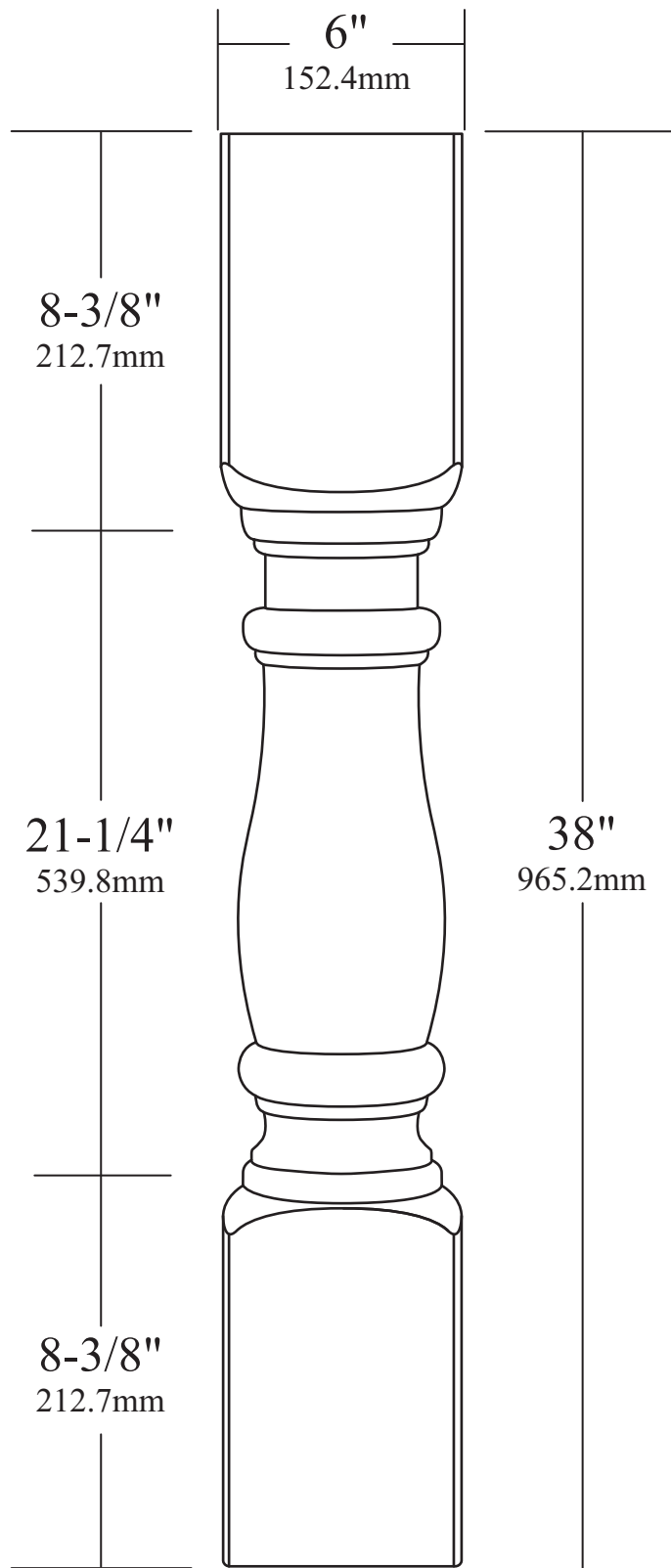


Legends Level Rail Brackets  
(Same Bracket for Top and Bottom Rails)



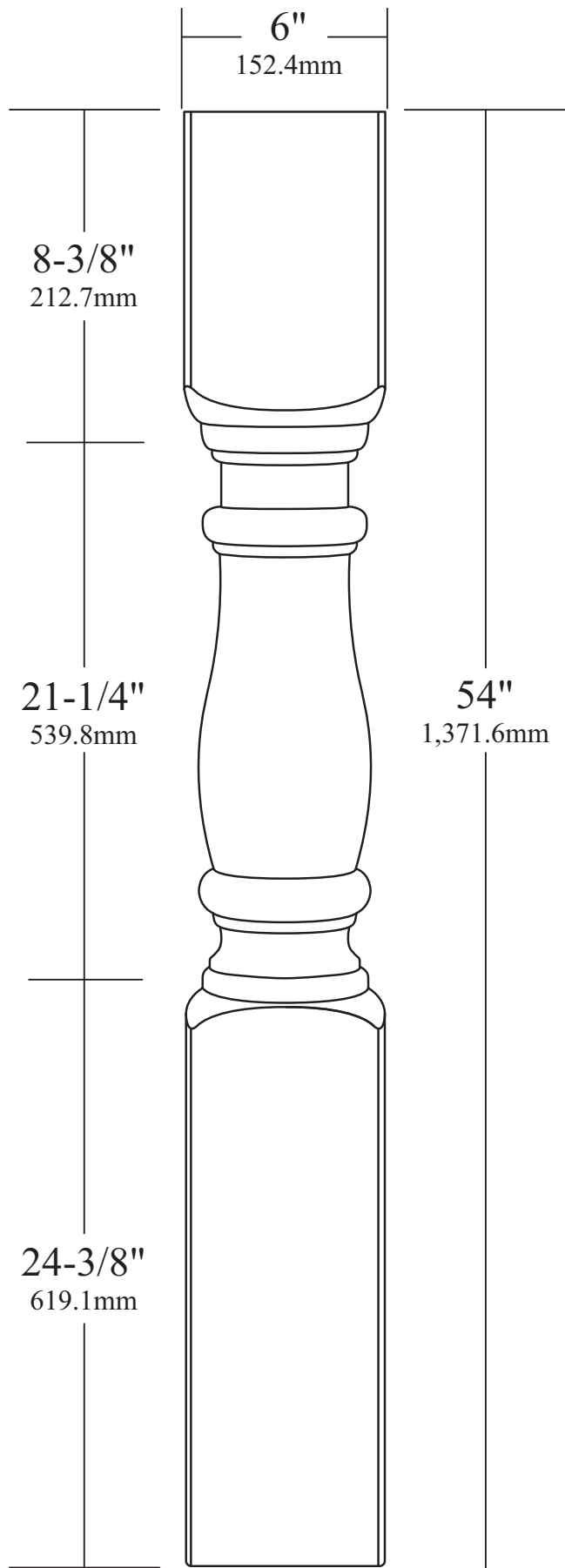
DOCUMENT TITLE:		8' Legends Level Rail System - 36" Height			
This drawing is the property of Fairway Vinyl Systems. Any hard copy of this drawing may not be current. This document and or images contained within may not be reproduced in publication format without express written consent of Fairway Vinyl Systems. Drawings may not be to scale.		FAIRWAY VINYL SYSTEMS			
P.O. Box 37 Mount Joy, Pa 17552		UOM	REF#	DATE	REV
		inch/mm	VSLE 400704 P1		1
SCALE	SHEETS	DRAWN BY	DATE		
1 of 1		FVS	7-18-08		

Dimensions and tolerances contained on drawings and figures are for reference only and may not encompass total allowable and approved dimensional variations.



DOCUMENT TITLE:			
6" x 38" Legends Turned Newel Post			
This drawing is the property of Fairway Vinyl Systems. Any hard copy of this drawing may not be current. This document and or images contained within may not be reproduced in publication format without express written consent of Fairway Vinyl Systems. Drawings may not be to scale.			
FAIRWAY VINYL SYSTEMS			
P.O. Box 37 Mount Joy, Pa 17552			
UOM inch/mm	REF#	SVLE 400738 P1	REV 1
SCALE	SHEETS	1 of 1	DRAWN BY FVS
			DATE 10-7-08

Dimensions and tolerances contained on drawings and figures are for reference only and may not encompass total allowable and approved dimensional variations.



DOCUMENT TITLE:				6" x 54" Legends Turned Newel Post			
This drawing is the property of Fairway Vinyl Systems. Any hard copy of this drawing may not be current. This document and or images contained within may not be reproduced in publication format without express written consent of Fairway Vinyl Systems. Drawings may not be to scale.				FAIRWAY VINYL SYSTEMS			
P.O. Box 37 Mount Joy, Pa 17552				REF# SVLE 400740 P1		REV 1	
SCALE	SHEETS	DRAWN BY	DATE				
	1 of 1	FVS	10-7-08				

Dimensions and tolerances contained on drawings and figures are for reference only and may not encompass total allowable and approved dimensional variations.