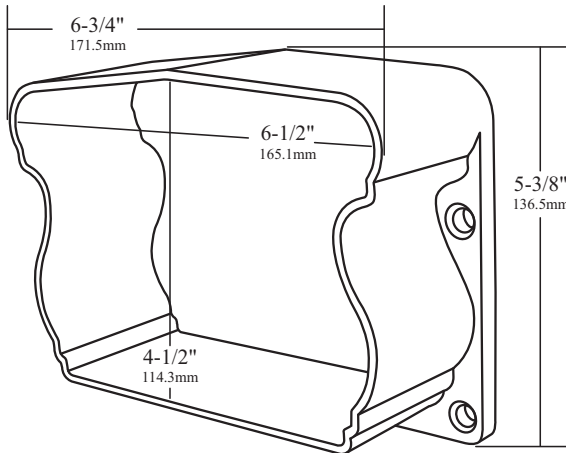
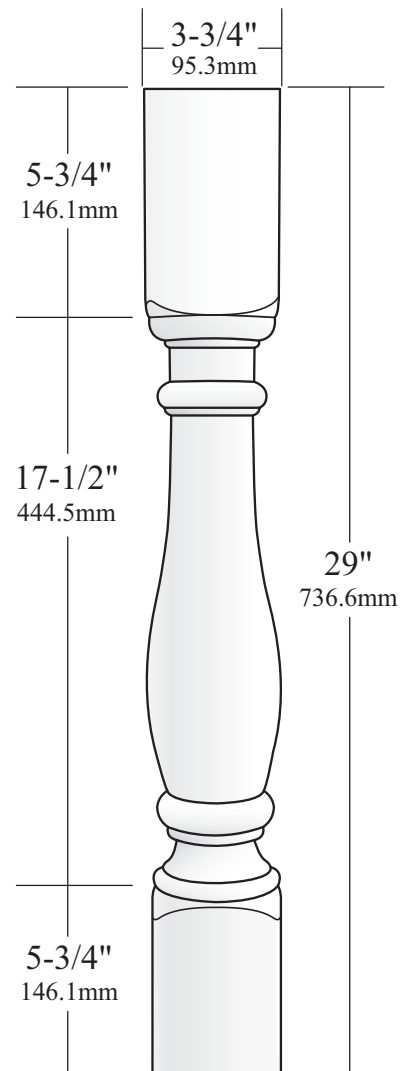


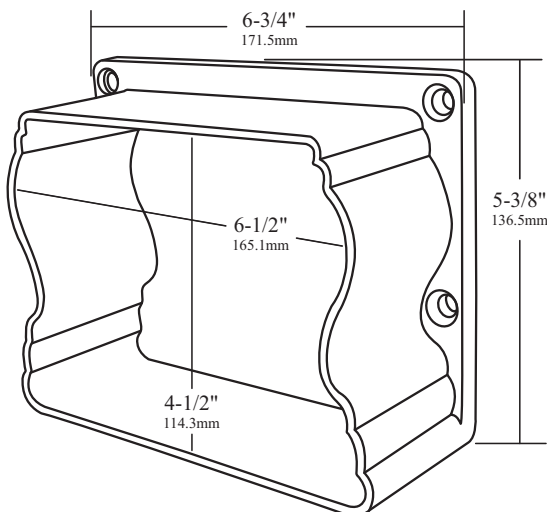
Masters Top Rail Level Bracket



29" Masters Turned Balusters

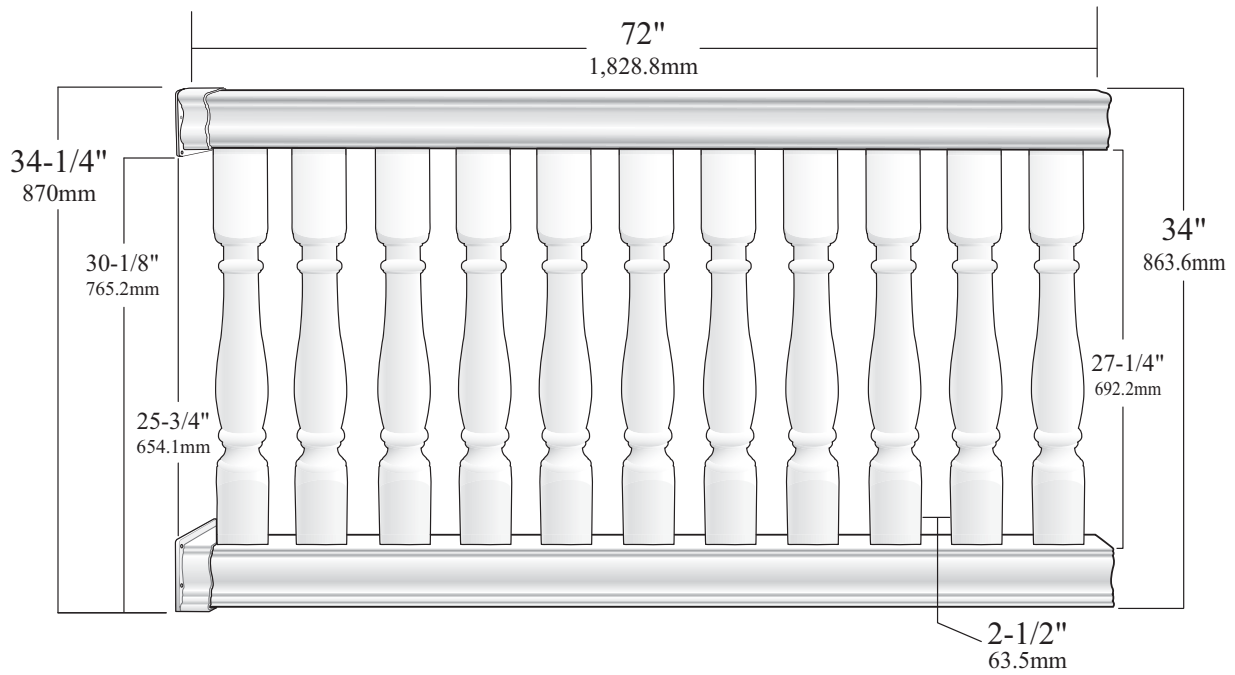


Masters Bottom Rail Level Bracket

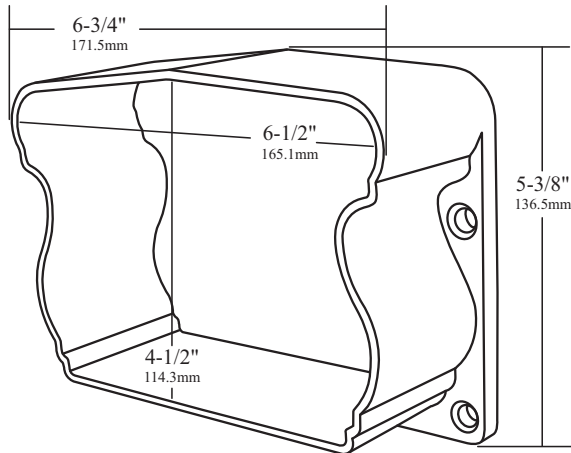


DOCUMENT TITLE:			
4' Masters Level Rail System - 36" Height			
This drawing is the property of Fairway Vinyl Systems. Any hard copy of this drawing may not be current. This document and or images contained within may not be reproduced in publication format without express written consent of Fairway Vinyl Systems. Drawings may not be to scale.			
FAIRWAY VINYL SYSTEMS			
P.O. Box 37 Mount Joy, Pa 17552			
UCM inch/mm	REF#	VSM400440 P1	REV 1
SCALE	SHEETS	1 of 1	DRAWN BY DATE EVS 7-17-08

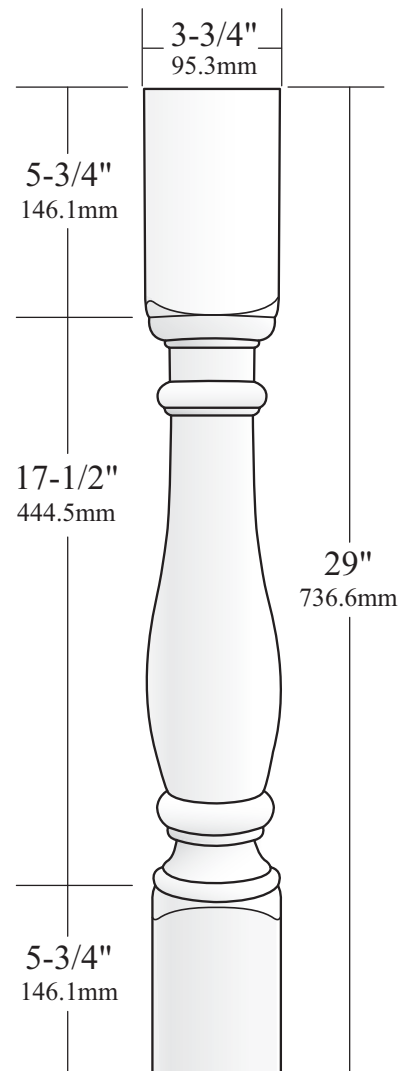
Dimensions and tolerances contained on drawings and figures are for reference only and may not encompass total allowable and approved dimensional variations.



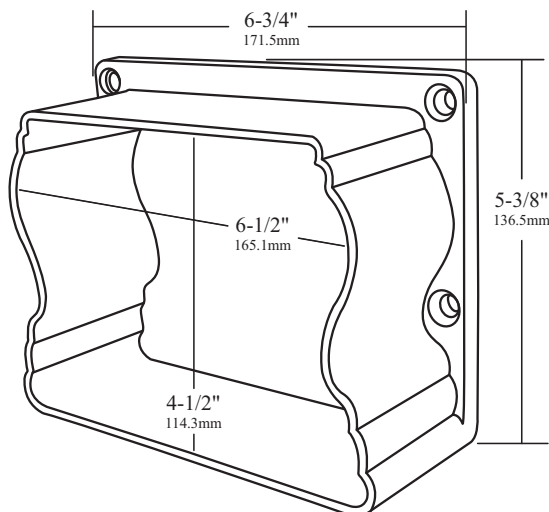
Masters Top Rail Level Bracket



29" Masters Turned Balusters

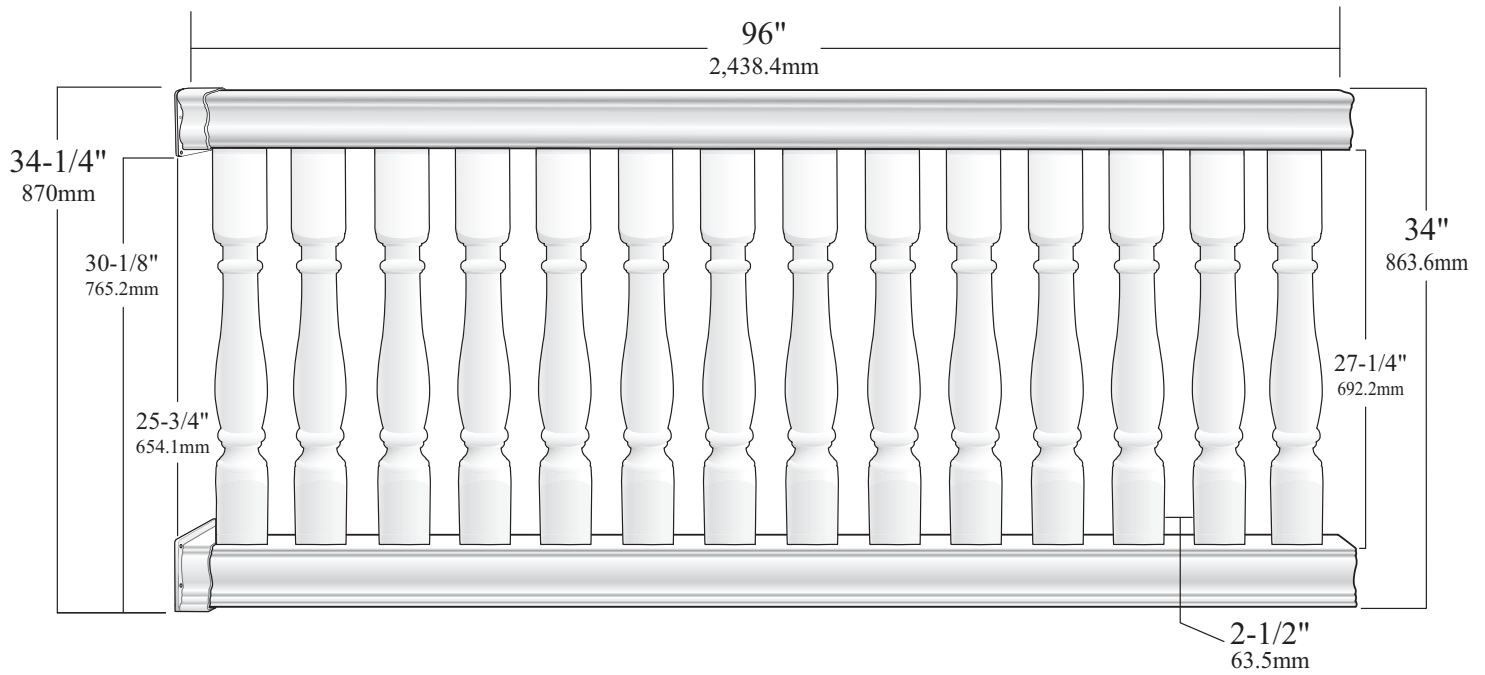


Masters Bottom Rail Level Bracket

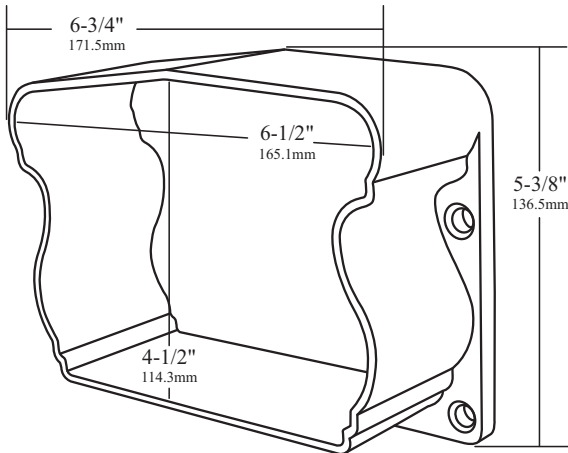


DOCUMENT TITLE:				6' Masters Level Rail System - 36" Height			
This drawing is the property of Fairway Vinyl Systems. Any hard copy of this drawing may not be current. This document and or images contained within may not be reproduced in publication format without express written consent of Fairway Vinyl Systems. Drawings may not be to scale.				FAIRWAY VINYL SYSTEMS			
P.O. Box 37 Mount Joy, Pa 17552				UOM	REF#	VSM400442 P1	REV
SCALE	SHEETS	1 of 1	DRAWN BY	DATE	FVS	7-17-08	1

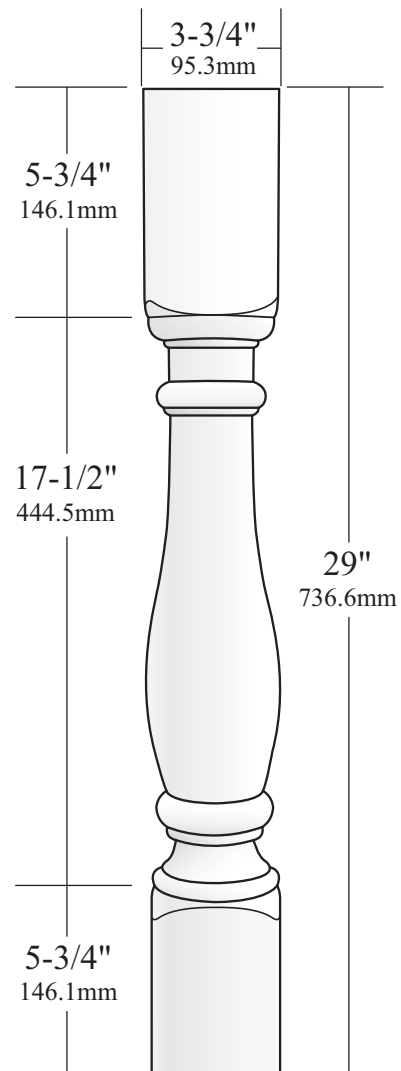
Dimensions and tolerances contained on drawings and figures are for reference only and may not encompass total allowable and approved dimensional variations.



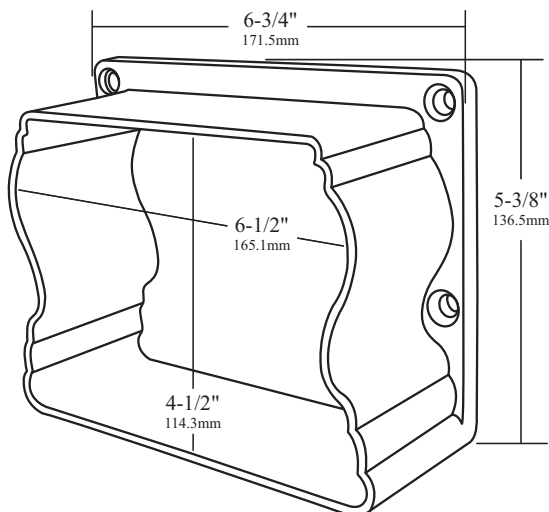
Masters Top Rail Level Bracket



29" Masters Turned Balusters



Masters Bottom Rail Level Bracket



DOCUMENT TITLE:		8' Masters Level Rail System - 36" Height			
This drawing is the property of Fairway Vinyl Systems. Any hard copy of this drawing may not be current. This document and/or images contained within may not be reproduced in publication format without express written consent of Fairway Vinyl Systems. Drawings may not be to scale.		FAIRWAY VINYL SYSTEMS			
P.O. Box 37 Mount Joy, Pa 17552		UCM REF#	VSM400444 P1	REV	1
SCALE	SHEETS	1 of 1	DRAWN BY	DATE	7-17-08
			FVS		

Dimensions and tolerances contained on drawings and figures are for reference only and may not encompass total allowable and approved dimensional variations.