

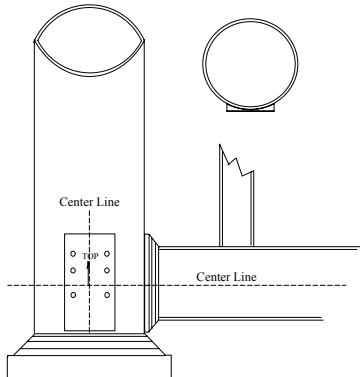
Round Column Adapter Installation Guide

It is the responsibility of the installer to meet or exceed all code and safety requirements, and to obtain all required building permits. These instructions are only a guide and may not address every circumstance. The deck and railing installer should determine and implement appropriate installation techniques for each situation.

FAIRWAY Building Products shall not be held liable for improper or unsafe installations.

STANDARD RAILING COLUMN ADAPTER

- Step 1** Mark Center Line for both VERTICAL and HORIZONTAL measurements.
- Step 2** Mark Center of width and height (Width - 1 11/16" • Height - 2 9/16") of Round Column Adapter.
- Step 3** Set Round Column Adapter in place and align with Center Lines on column. Mark screw holes and pre-drill 1/8" holes.
- Step 4** Align mounting bracket with Column Adapter and screw in place. Proceed following Railing Instructions specific to the railing system.



Use these mounting holes for Standard 2"x3½" Mounting Bracket
NOTE: Drill out screw holes with a 5/32" drill bit located at back of adapter

CONTOUR RAILING COLUMN ADAPTER

- Step 1** Mount bottom rail per instructions.
- Step 2** Measure distance between columns where top rail will mount. Deduct 1/4" per side to allow for column adapter and cut rail to length. Make sure spacing is equal on both ends.
- Step 3** Insert a baluster in each end of bottom rail and set top rail in matching baluster pocket.
- Step 4** Set contour black mounting bracket onto contour column adapter and match up screw holes. Insert screws through holes and slide in place. Mark screw holes and remove.
- Step 5** Pre-drill four (4) 5/32" pilot holes and install the contour adapter with the mounting bracket with correct screws. Follow railing instructions to complete your installation.

