

FAIRWAY

ARCHITECTURAL RAILING SOLUTIONS



P310 CPVC RAILING INSTALLATION QUICK GUIDE

SQUARE CPVC BALUSTERS



Number of Balusters Provided Per Kit

LEVEL	STAIR
14 - 6' Kit	14 - 6' Kit
19 - 8' Kit	19 - 8' Kit
24 - 10' Kit	N/A - 10' Kit

LEVEL & STAIR* KIT INCLUDES:

- 1 - Top Rail with Aluminum Insert
- 1 - Top Sub Rail with Rail with Aluminum Insert



- 1 - Bottom Rail with Rail with Aluminum Insert



- 4 - Mounting Brackets with Screws
- 1 - Rail Support per 6' & 8' Kit
- 2 - Rail Supports per 10' Kit

Number of balusters per kit shown left.

TOOLS NEEDED:

- Drill with #2 Square Drive Bit
- Circular Saw
- Speed Square
- Tape Measure
- Drill Extension



LEVEL INSTALLATION

BEFORE STARTING

- Review all local building codes.
- Wear proper safety equipment.

STEP 1 GETTING STARTED

- Plumb all posts or mounting surfaces, install optional post trim at this time.
- Determine required bottom rail height from deck surface to bottom of rail based on local building codes.

STEP 2 INSTALL BOTTOM RAIL MOUNTING SCREW

- Find center of post/mounting surface. Mark center line on surface. Determine distance from finished deck to bottom of rail. Add 3/8" and mark. Drill 3/16" hole on center of center line. Install #14 x 1" screw to within 1/8" of mounting surface. Check screw head clearance using a bottom bracket and adjust clearance between screw head and post/mounting surface to obtain a snap fit.

STEP 3 CUT RAILS

- Measure distance between posts.
- Mark bottom rail to correct length.
- Ensure there is equal and maximum distance from baluster holes on both ends of top and bottom rails. Cut bottom rail with insert inside to length. Cut top rail the same, ensuring baluster holes line up.

NOTE: The top aluminum insert should be cut 1/4" shorter than the top rail. The bottom aluminum insert should be inserted into the bottom rail with DEEP SIDE of channel facing the routed side of rail.

STEP 4 INSTALL RAIL MOUNTING BRACKETS & RAIL SUPPORT

- Place bottom rail bracket on underside of bottom rail, aluminum insert with post mounting flange up. Make certain post flange is flush with the end of the bottom rail and mark the elongated slot. Install one each #10 x 3/4" mounting screw for each bracket. Adjust bracket if necessary.
- With baluster pockets facing up, slide top rail brackets with mounting flanges pointing down on end of top aluminum insert. On elongated slot, find center & install one #10 x 3/4" screw. Adjust bracket if necessary and install second screw.
- Find center of rail and install rail support with one #10 x 3/4" screw.

NOTE: TWO RAIL SUPPORTS ARE REQUIRED FOR 10' KITS

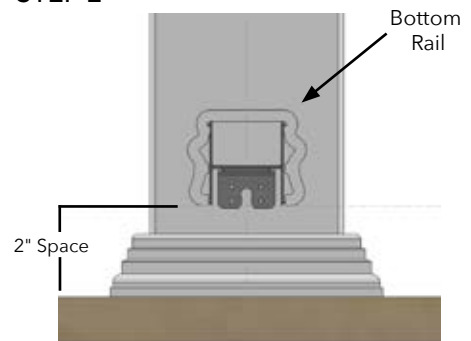
STEP 5 INSTALL RAIL SECTION

- Snap bottom rail onto bottom rail mounting screws between posts.
- Insert balusters into bottom rail.
- With bottom rails in place, set sub-rail in place and starting from one end, work the balusters into sub-rail
- Pre-drill two 1/8" holes through top mounting brackets holes into post/mounting surface and install #10 x 1-1/4" screws in both ends of rail.

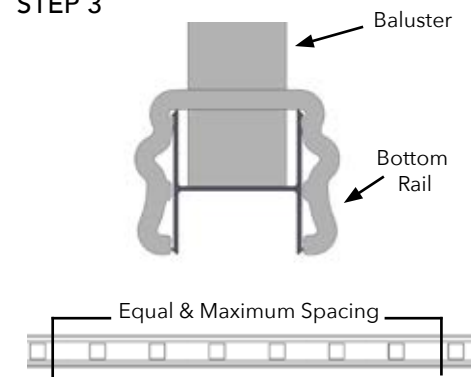
STEP 6 FINISHING STEPS

- Carefully snap top rail cap over top aluminum insert. Ensure that cap is seated entirely.
- With rail mounted in place, measure and mark post sleeves to desired height.
- Cut post to desired height with a saw and clean edge of cut.
- Apply a small bead of silicone to the inside of edge of post cap and install on top of post sleeve (let set 12 hours for adhesive to cure).

STEP 2

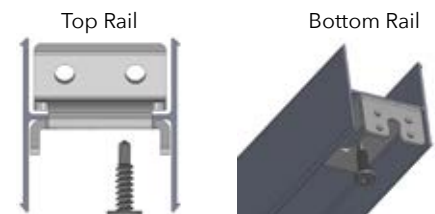


STEP 3

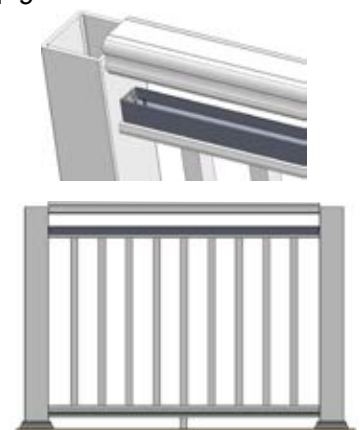


STEP 4

Aluminum Inserts



STEP 5



Fairway Architectural Railing Solutions will not be held liable for incorrect or unsafe installations by the installer. It is the installer's responsibility to secure proper building permits, review local codes and safety needs and meet or exceed them. The instructions provided by Fairway are a guide and may not account for every special circumstance. The installer must identify and execute the installation approach that is appropriate for every application.

P310

STAIR INSTALLATION

BEFORE STARTING

- Review all local building codes.
- Wear proper safety equipment.

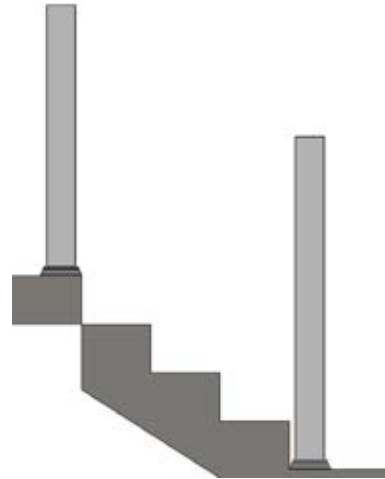
STEP 1 GETTING STARTED

- Plumb all posts or mounting surfaces, install optional post trim at this time.
- Determine required bottom rail height from deck surface to bottom of rail based on local building codes.

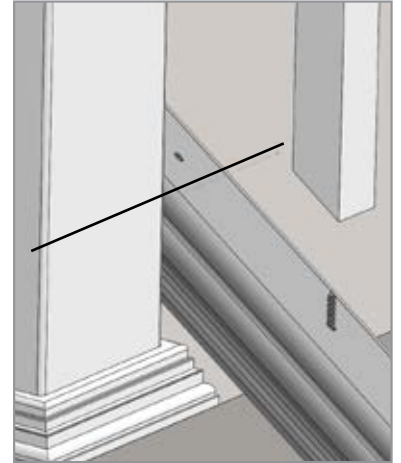
STEP 2 CUT RAILS & BALUSTERS

- Lay bottom rail against post resting on stair and deck nosing. Balance out spacing between post and closest baluster with equal and maximum distance. Mark rails where it intersects with posts (Top & Bottom)
- If posts are plumb, top rail will be the same length. Top aluminum insert will be 1/4" shorter than top rail (to allow for mounting brackets). Cut rails with a saw. You may cut both pvc and aluminum at the same time.
- Determine angle of stairs and cut one end of each baluster to same angle. Make note to check baluster length with desired rail height.

STEP 1



STEP 2



STEP 3 INSTALL BRACKETS, BALUSTERS & RAIL

- **Bottom Rail Brackets:** Place bottom rail bracket on bottom of aluminum insert with post mounting flange pointing up. Make certain post flange is flush with the end of the bottom sub-rail and mark the elongated slot. Drill a 1/8 hole in the center of elongated slot and install a #10 x 3/4" mounting screw.
- **Top Rail Brackets:** Top Rail Brackets with mounting flanges pointing down on end of top sub-rail. Find center of elongated slot and drill a 1/8 pilot hole. Install two #10 x 3/4" screws. Adjust bracket angles if necessary.
- Using pre-routed holes on bottom pvc rail, align and attach balusters on angle cut end. Attach with provided screws. Slide sub-rail into bottom rail with bracket flanges facing down.
- Find center of post/mounting surface. Mark center line on surface. Determine distance from finished deck to bottom of rail. Add 3/8" and mark. Drill 3/16" hole on center of center line. Install #14 x 1" screw to within 1/8" of mounting surface. Check screw head clearance using a bottom bracket and adjust clearance between screw head and post/mounting surface to obtain a snap fit.
- Install bottom rail with installed balusters onto mounting screws.
- Set top sub-rail between posts and insert balusters.

TIP: Start at the bottom of stair run and work up.

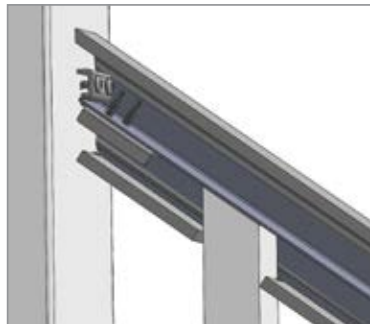
- With all balusters inserted, center top rail brackets on post and install 2 each #10 X 1 1/4" screws
- With all mounting screws installed, carefully snap top rail cover over aluminum insert.

STEP 4 FINISHING STEPS

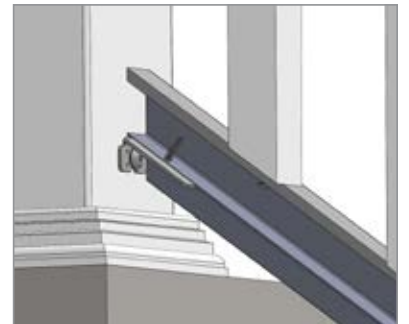
- With rail mounted in place, measure and mark post sleeves to desired height.
- Cut post to desired height with a saw and clean edge of cut.
- Apply a small bead of silicone to the inside edge of post cap and install on top of post sleeve (let set 12 hours for adhesive to cure).

STEP 3

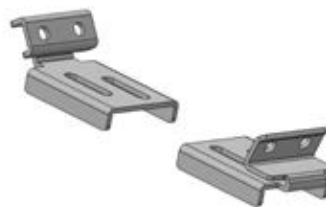
Cutaway of Top Rail



Cutaway of Bottom Rail



Top Rail Brackets



Bottom Rail Brackets



Fairway Architectural Railing Solutions will not be held liable for incorrect or unsafe installations by the installer. It is the installer's responsibility to secure proper building permits, review local codes and safety needs and meet or exceed them. The instructions provided by Fairway are a guide and may not account for every special circumstance. The installer must identify and execute the installation approach that is appropriate for every application.

CLEANING AND MAINTENANCE TIPS FOR YOUR RAILING

It's easy to maintain the great look of your cellular PVC. Like anything exposed to the elements, your railing or fence will get dirty, but in most cases you can simply spray the dirt off with your garden hose. For more stubborn dirt or stain removal, follow these simple instructions:

NOTE: PROTECT SHRUBBERY FROM DIRECT CONTACT WITH CLEANING AGENTS.

Stubborn Dirt

1. Use a slightly moist Mr. Clean Magic Eraser Cleaning Pad® to scrub your railing or fence. This should remove most stains.
2. Use an ordinary soft bristle wash brush and scrub your railing or fence just like you would wash your car.
3. If the dirt is difficult to remove, such as soot found in industrial areas, wash the railing or fence with a solution made up of the following:
1/3 cup powder detergent (e.g. Tide, Fab, or equivalent powder detergent)
2/3 cup household cleaner (e.g. Soilax, Spic & Span or equivalent)
1 gallon of water
4. If mildew is a problem in your area add 8 fluid ounces of liquid laundry bleach to above solution.
5. When washing your railing or fence, prevent streaking by starting at the bottom and working up to the top.
6. If stubborn stains exist, follow the precautionary labeling instructions on the cleaning agent container.

Stain Removal

1. Light oils and greases, heavy grease, caulking compounds, wax, crayon, asphalt, tars, etc.:
 - a. Use a slightly moist Mr. Clean Magic Eraser Cleaning Pad® scrub your railing or fence.
 - b. Cleaning Agents: Mineral spirits, VMP naphtha, auto tar remover.
 - c. Preparation: Remove excess with plastic or wood scraper.
 - d. Special cleaning procedures: Use soft cloth to apply mineral spirits.** Maintain light pressure to avoid polishing stained area. After removing stain, rinse area thoroughly with clean water.
2. Inks (marking), nail polish, paint, lipstick, gum:
 - a. Cleaning agents: Cleaning fluid (Trichloroethylene)
 - b. Preparation: Remove excess with plastic or wood scraper. Chill gum to remove excess.
 - c. Special cleaning procedures: Use soft cloth to apply cleaning fluid*.* Maintain light pressure to avoid polishing stained area. After removing stain, rinse area thoroughly with clean water.
3. Rust stains:
 - a. Cleaning agents: Oxalic acid, auto radiator cleaner, Bright bowl), Ridco-Rust
 - b. Preparation: Make solution of 1 tablespoon of oxalic acid crystals to 1 cup warm water.
 - c. Special cleaning procedures: Apply oxalic acid solution with soft bristle brush. Wipe with damp cloth and then flush with rust free water (use rubber gloves and eye protection).
4. Stubborn Stains:
 - a. Use a slightly moist Mr. Clean Magic Eraser Cleaning Pad® scrub your railing or fence.
 - b. Cleaning agents: Xylene, Lacquer Thinner procedure.
 - c. Preparation: Try procedures 1, 2, or 3. If they don't remove the stains, then use this procedure.
 - d. Dampen small section of cloth with xylene. Rub vigorously on the affected area.** Maintain light pressure to avoid polishing stained area. After removing stain, rinse area thoroughly with clean water.

LIMITED LIFETIME WARRANTY TERMS, CONDITIONS AND LIMITATIONS

Fairway Architectural Railing Solutions (FAIRWAY®) warrants its cellular PVC, fence, vertical support systems and handrail products subject to the conditions and limitations listed herein, to be free from defective workmanship and materials, and when subject to normal and proper use, it is further warranted against surface peeling, rot, ground insects, splitting, corrosion, flaking, rusting and blistering, abnormal weathering or abnormal discoloration under conditions of normal use and service. FAIRWAY warrants only those products manufactured and sold under the FAIRWAY or "By FAIRWAY" name. This Limited Lifetime Warranty extends only to the original purchaser according to terms specified herein.

EXCLUSIONS: FAIRWAY shall not be liable for and this warranty does not apply to any terms, failure, defect or damage resulting from or connected with the following:

- A. Defects not caused by FAIRWAY (for example, but not limited to: accidents, misuse, improper applications or installations contrary to industry or FAIRWAY standards).
- B. Product that has been painted or had its surface treated with other than approved chemicals.
 - Refer to Maintenance Tips and Cleaning
- C. Product subject to impact of foreign objects, tornado, hurricane, other violent storms, fire, air pollutants, normal weathering of surfaces, abnormal discoloration due to improper maintenance, discontinuation of products including colors or any other acts of God.
- D. Improper installation of FAIRWAY products or defects caused by their installation.
- E. FAIRWAY Limited Lifetime Warranty will not be applicable for products that are covered under a specific and separate warranty or duration.
 - FAIRWAY Mesh In-fill - Warranty coverage period limited to 15-year Limited Warranty (under provisions and exclusions herein).
 - FAIRWAY Horizontal Baluster In-fill - Warranty coverage period limited to 10-year Limited Warranty (under provisions and exclusions herein).
 - FAIRWAY Railing with Acrylic Panel and Horizontal Cable Railing - Warranty coverage period limited to 10-year Limited Warranty (under provisions and exclusions herein).
 - FAIRWAY Aluminum Balusters - Warranty coverage period limited to separate published provisions under the "SOLUTIONS® Baluster Limited Warranty."
 - FAIRWAY Solar Caps - Warranty coverage period is limited to 2-year Limited Warranty under provisions and exclusions herein).
 - CP300 Composite Rail Systems - Warranty coverage period is limited to 20-year Limited Warranty (under provisions and exclusions herein).

F. Installation of FAIRWAY railing products in a commercial, institutional or multi-family residential environment or application shall limit the duration of this coverage to 20 years maximum from date of purchase. Further commercial limitation to 5 years for Acrylic Panel and 10 years for CP300 Composite Rail.

G. FAIRWAY railing products sold, shipped or installed in single dwelling residence outside of the continental United States (OCONUS) shall have a limited duration of this coverage to 30 years from in above.

WARNING: Fairway Architectural Railing Solutions and its employees are not qualified to approve, recommend or advise as the suitability of this product for all possible local code requirements and end use applications. Your local code authority or fire marshal's office should be consulted as to its safety for its intended uses. Like other building materials, Fairway Architectural Railing Solutions cannot be expected to contain spirited large stock animals, and therefore suggest additional measures using hot or tape wire as a deterrent and further makes no representation about and does not warrant against such an occurrence.

FAIRWAY® LIMITED LIFETIME WARRANTY REGISTRATION PROCESS: Warranty registration can be accomplished electronically by visiting www.fairwayrailing.com/warranty-registration/ and registering within thirty (30) days after completion of installation of products in order for purchaser to be eligible for coverage under warranty terms. NOTE: PROOF OF PURCHASE IS NECESSARY TO EXERCISE CLAIMS AND REMEDIES FOR ANY OCCASION. PLEASE SAFEGUARD ACCORDINGLY. Upon receipt of all necessary information we will process and return a digital copy within thirty (30) days. The warranty will be certified and issued in PDF format to the email address supplied at the time of registration. If email is not available a hard copy will be mailed to the supplied address in lieu of the digital document. CLAIMS AND REMEDIES: A claim under this warranty must be reported in writing with proof of purchase to: Fairway Architectural Railing Solutions, P.O. Box 37, Mount Joy, PA 17552, within thirty (30) days of the date that the defect is first discovered or reasonably could be discovered. A reasonable time should be allowed for inspection purposes, or at FAIRWAY's option, shipment of a sample to the above address for examination of the alleged defective product. FAIRWAY shall be the sole judge of whether or not the material is defective and whether the defect is due to manufacturing defects. If, after its inspection, FAIRWAY determines the claim is in accordance with the terms of this Limited Warranty, FAIRWAY agrees at its option to replace the section or part of the product, or refund the prevailing cost of the product in your geographical area at the time of replacement or the original purchase price, whichever shall be less. This warranty does not cover the cost of removal of any defective products or the cost of installation of any replacement product furnished under the terms of the warranty. Incidental or consequential damages and resulting cost incurred as a result of a coverage claim are excluded and will not be paid. Statements, remarks, agreements, representations, promises or understandings, oral or written, contrary to the terms contained herein, even those made by an agent of FAIRWAY, will be recognized as neither implied warranties nor those of merchantability or fitness for use of specific applications. Some states may not allow the limitation of incidental or consequential damages or limitations on how long an implied warranty lasts, so many of the limitations may not apply to you. This warranty gives specific rights and there may also be other legal rights which vary from state to state. By acceptance and use of this product, purchaser agrees, that FAIRWAY liability and the purchaser's exclusive remedy for breach of any warranty shall be limited in all events to replacement of any section or part of this product which is found to be defective and shall be returned to FAIRWAY.

INSTALLER

Leave this page with property owner or manager.

PROPERTY OWNER/MANAGER

Register warranty at FairwayRailing.com/warranty-registration.