



Before Starting the Installation

Review all local building codes. Wear proper safety equipment.

NOTE: Ensure post is mounted to solid blocking when mounted to wood decking.

Step 1 • Mounting Surface Preparation

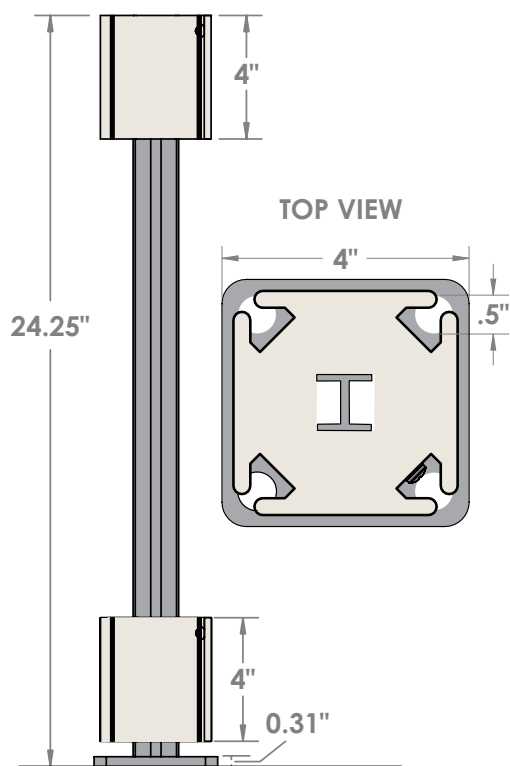
a) Determine placement of post on deck surface. Set post in place and mark mounting holes.

Step 2 • Mount Post

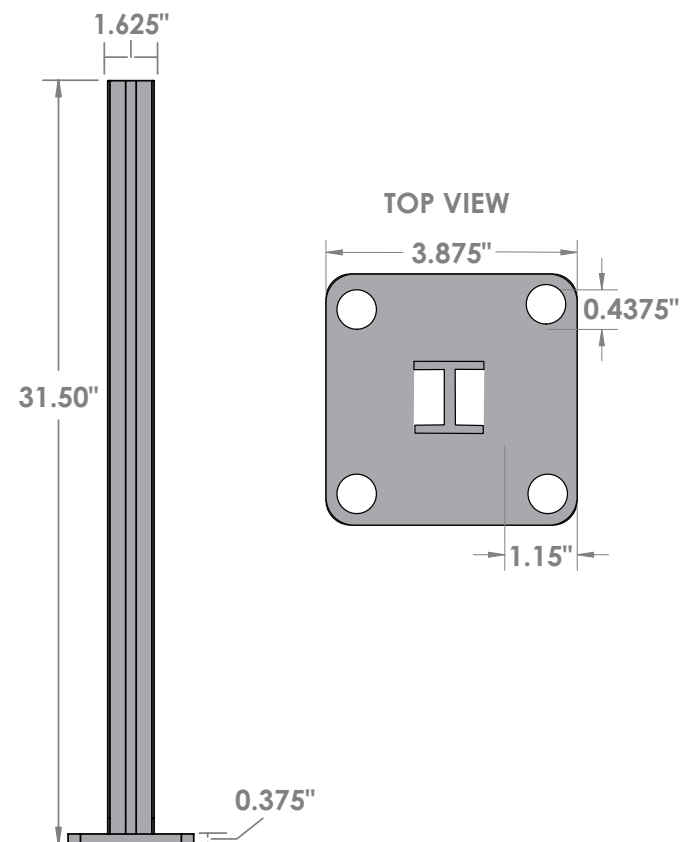
a) Mount post to deck surface using one of the options and suggested mounting hardware listed in Mounting Options.

Specifications

3-1/2" Surface Post Mount



1-7/8" Surface Post Mount

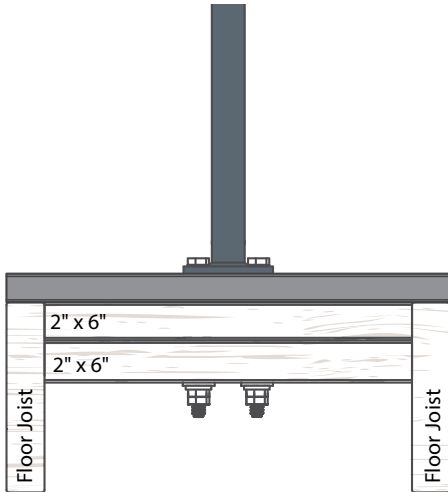


Fairway Architectural Railing Solutions will not be held liable for incorrect or unsafe installations by the installer. It is the installer's responsibility to secure proper building permits, review local codes and safety needs and meet or exceed them. The instructions provided by Fairway are a guide and may not account for every special circumstance. The installer must identify and execute the installation approach that is appropriate for every application.



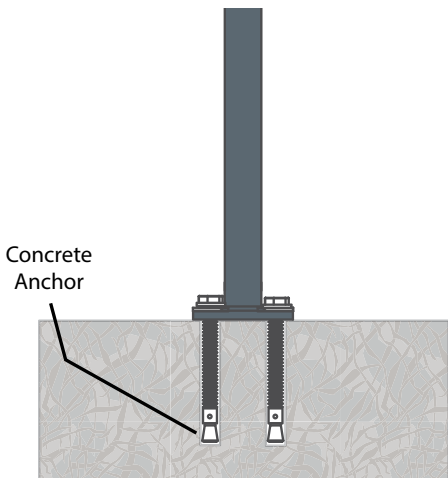
WOOD SURFACES

Installation Method for Pressure Treated or Wood Fiber Based Composite Decking



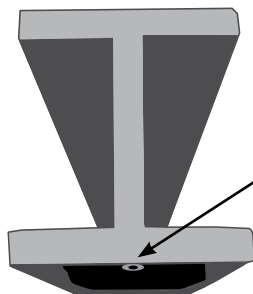
- Step 1** Determine Structural Post Mount location. Screw two (2) 2" x 6" blocks together and install them between joists in deck framing. 2" x 6" wood block wood grain should run perpendicular to joists in deck framing. Insert (4) #10 x 3" exterior grade screws evenly spaced in 3 sides of 2" x 6" blocking.
- Step 2** Lay out where post will be mounted. Mark holes at 4 corners of Structural Post Mount Base Plate on deck surface. Drill (4) 7/16" holes through deck surface and 2" x 6" blocking.
- Step 3** Insert four (4) 3/8" x 6" bolts into the pre-drilled 7/16" holes. Install washers and 3/8" nuts.
- Step 4** Insert (2) two shims under post base around mounting bolts for added leveling. Trim shims flush with post base. Securely tighten all four bolts.

CONCRETE SURFACES



- Step 1** Determine Structural Post Mount location.
- Step 2** Lay out where post will be mounted and mark holes at four (4) corners of Structural Post Mount Base Plate. Drill four (4) holes per concrete wedge anchor manufacturer's suggested pre-drill size.
- Step 3** Insert 3/8" concrete wedge anchors (sold separately) into four (4) pre-drilled holes.
- Step 4** Install and tighten concrete wedge anchor hardware washers and bolts (sold separately) following concrete wedge anchor manufacturer's recommended installation.
- Step 5** Leveling shims may also be used and cut flush when structural post is plumb.

Top View



NOTE: The solid side of the I-beam needs to be oriented so it will receive the bracket screws for maximum strength and support.