

FAIRWAY

ARCHITECTURAL RAILING SOLUTIONS



HORIZONTAL BALUSTER INFILL

INSTALLATION QUICK GUIDE

HORIZONTAL BALUSTER INFILL



P300 Cellular PVC Railing
(Shown without bottom rail option)



CP300 Composite Railing
(Shown without bottom rail option)



A210 Aluminum Railing
(Shown without bottom rail option)



A310 Aluminum Railing
(Shown without bottom rail option)

P300 & CP300 LEVEL & STAIR KIT INCLUDES:

- Top Rail with *Aluminum Insert
- Top Sub-Rail
- Bottom Rail w/*Aluminum Insert (Optional)
- Intermediate Baluster
- Mounting Brackets with Screws
- 5/8" Round Aluminum Balusters with Buttons & Brackets
- Rail Support (Only with bottom rail) (*P310 Only)

A210 & A310 LEVEL & STAIR KIT INCLUDES:

- Top Rail
- *Top Sub-Rail
- Bottom Rail (Optional)
- Intermediate Baluster
- Mounting Brackets with Screws
- 5/8" Round Aluminum Balusters with Buttons & Brackets
- Rail Support (Only with bottom rail) (*A210 Only)

TOOLS NEEDED:

- Drill with #2 Square Drive Bit
- Circular Saw
- Speed Square
- Tape Measure
- Drill Extension



A210 & A310



CP300



P300

HORIZONTAL BALUSTER INFILL LEVEL INSTALLATION

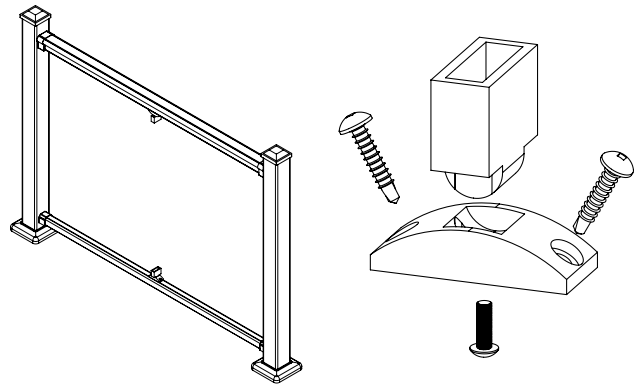
BEFORE STARTING

- Follow instructions for your rail technology to mount brackets and rails to your posts.
- Determine rail length and cut accordingly.

STEP 1 - PRE-DRILL RAILS FOR INTERMEDIATE BALUSTER BRACKETS

- Remove brackets from intermediate baluster.
- Position bracket in center of rails, mark holes and pre-drill with 1/8" bit or, if no bottom rail is being used, position intermediate baluster bracket directly on surface centered between posts.
- At this time, do not attach intermediate baluster brackets.

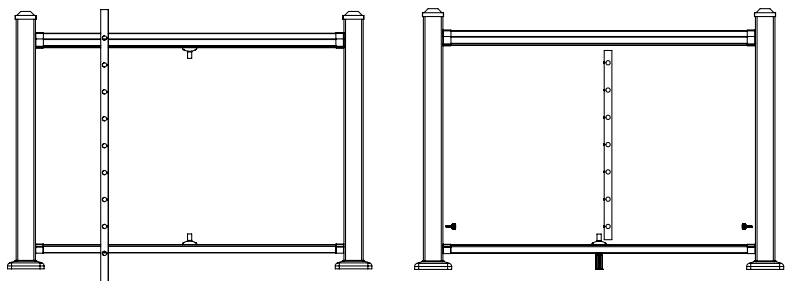
STEP 1



STEP 2 - CUT INTERMEDIATE BALUSTER

- Measure distance between top & bottom rails.
- Deduct 1-5/8" for intermediate baluster brackets.
- Transfer this measurement to the intermediate baluster.
- Making sure to keep equal distance from intermediate baluster end to first hole, both top and bottom, cut to length.

STEP 2 & 3

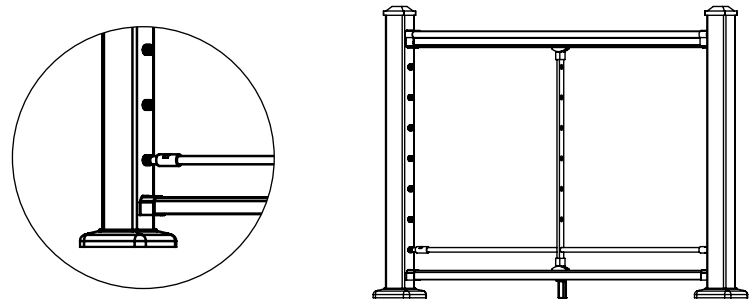


STEP 3 - INSTALL BRACKET BUTTONS

- Insert the intermediate baluster brackets on to the intermediate baluster.
- Place the baluster against the post between the top and bottom rail (or surface) and mark where to drill the holes for the button brackets. (Each concurrent mark should be 4-3/16", on center, on each post. The use of optional template #203012 is advised for accuracy.)
- Pre-drill each mark with a 1/8" size drill bit.
- Secure buttons to posts with supplied screws.

NOTE: If using a structural post it is highly recommended that a structural component, part #401054 for 36" rail, #401055 for 42" rail be used to ensure proper adherence of buttons to post.

STEP 4



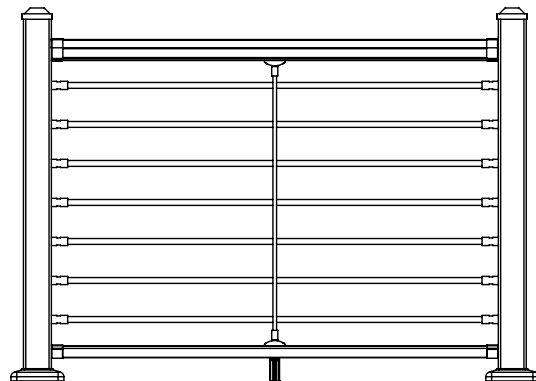
STEP 4 - CUT HORIZONTAL BALUSTERS

- Measure distance between posts and deduct 1-1/4". Cut horizontal balusters to length.

STEP 5 - INSTALL INTERMEDIATE BALUSTER

- Position the bottom intermediate baluster bracket over the previously drilled holes in the bottom rail and attach bracket.
- Insert the top intermediate baluster bracket on to the intermediate baluster.
- Insert intermediate baluster into attached bottom intermediate baluster bracket.
- Position top intermediate baluster bracket over previously drilled holes and attach bracket to top rail.

STEP 5



STEP 6 - INSTALL HORIZONTAL BALUSTERS

- Insert horizontal balusters through holes of intermediate baluster.
- Slide brackets over each end of each horizontal baluster with threaded side toward the buttons.
- Position and screw brackets onto buttons.

NOTE: If they do not line up perfectly, apply pressure to the horizontal baluster until bracket is screwed completely onto button in order to prevent cross-threading.

STEP 7 - FINISHING STEPS

- To prevent rattling, tighten all set screws with an M4 allen wrench.



Fairway Architectural Railing Solutions will not be held liable for incorrect or unsafe installations by the installer. It is the installer's responsibility to secure proper building permits, review local codes and safety needs and meet or exceed them. The instructions provided by Fairway are a guide and may not account for every special circumstance. The installer must identify and execute the installation approach that is appropriate for every application.

HORIZONTAL BALUSTER PANEL INFILL STAIR INSTALLATION

BEFORE STARTING

- Follow instructions for your rail technology to mount bottom rail to posts if using a bottom rail.
- Determine rail length. Cut and install accordingly.

STEP 1 - INSTALL INTERMEDIATE BALUSTER BRACKET

- Remove brackets from intermediate baluster.
- Position bracket in center of rail or, if no bottom rail is used, position bracket in center between posts on stair tread. Mark holes and pre-drill using 1/8" drill bit.
- At this time, only attach bottom bracket to bottom rail or tread.

STEP 2 - INSTALL BRACKET BUTTONS

- Starting at top stair post - Line up buttons with corresponding level rail buttons, if possible. This will ensure continuity of horizontal baluster flow from level to stair.
- Mark and drill button location using 1/8" drill bit.
- If using a structural post, it is highly recommended that a structural component, part # 401054 for 36" rail or #401055 for 42" rail be used for proper adherence of buttons to post.
- Bottom stair post - If using a bottom rail, measure from top of bottom rail to the center of the bottom button hole on the upper post, then transfer this measurement to the lower post. Each subsequent hole should be 4-3/16", on center. The use of optional template #203012 is advised for accuracy.
- If no bottom rail is used, use the horizontal baluster itself to determine the bottom hole placement on the lower post. Keep same distance off tread nose to ensure proper placement.

STEP 3 - INSTALL TOP RAIL & SUB RAIL (IF APPLICABLE)

- Use the top horizontal baluster as a guide or measure off the top hole for top rail placement. Be sure that enough space is left for top rail intermediate baluster bracket. Allow for a minimum of 2" between bottom of top rail and the first horizontal baluster.

STEP 4 - CUT & INSTALL INTERMEDIATE BALUSTER

- Measure distance between top & bottom rails and deduct 1-5/8" for intermediate baluster brackets.
- Transfer this measurement to the intermediate baluster.
- Making sure to keep equal distance from the intermediate baluster end to first hole, both top & bottom, cut to length.
- Remove top and bottom horizontal baluster, if installed.
- Insert bottom of intermediate baluster into baluster bracket.
- Insert top baluster bracket onto intermediate baluster, plumb up baluster, mark bracket holes and pre-drill with 1/8" drill bit.
- Install bracket and intermediate baluster.

STEP 5 - CUT & INSTALL HORIZONTAL BALUSTERS

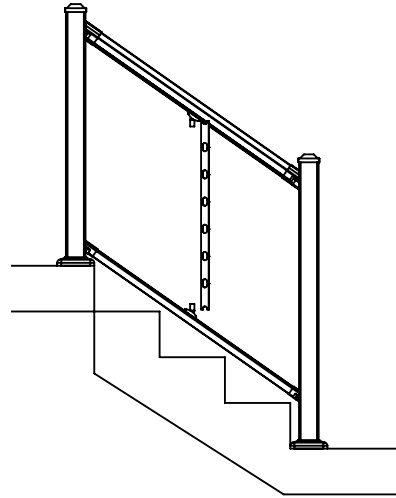
- Position the adjustable angle brackets to the desired pitch or angle location and tighten them to a fixed position.
- Measure the distance between the brackets, where the threads originate on the bracket, and deduct 1/8". Cut horizontal balusters to length.
- Insert horizontal balusters through intermediate baluster.
- Slide brackets over each end of each horizontal baluster with threaded side towards buttons.
- Screw brackets onto buttons.

NOTE: If they do not line up perfectly, apply pressure to the horizontal baluster until bracket is screwed completely onto button in order to prevent cross-threading.

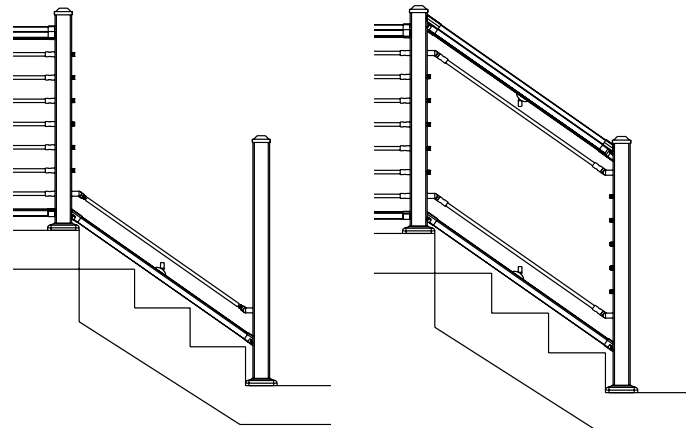
STEP 6 - FINISHING STEPS

- To prevent rattling, tighten all set screws with an M4 allen wrench.

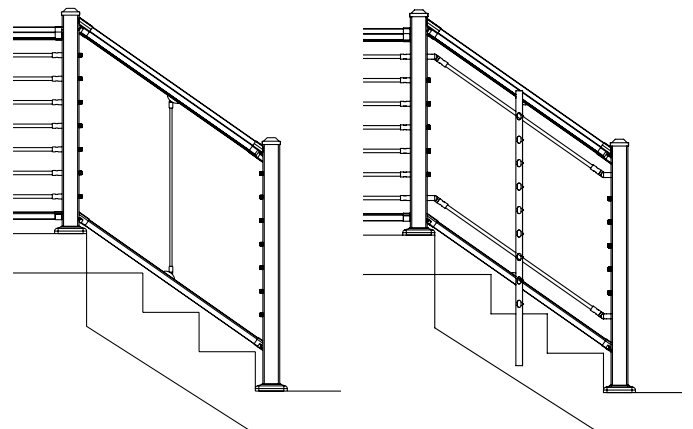
STEP 1



STEP 2 & 3



STEPS 4, 5 & 6



Fairway Architectural Railing Solutions will not be held liable for incorrect or unsafe installations by the installer. It is the installer's responsibility to secure proper building permits, review local codes and safety needs and meet or exceed them. The instructions provided by Fairway are a guide and may not account for every special circumstance. The installer must identify and execute the installation approach that is appropriate for every application.

CLEANING AND MAINTENANCE TIPS FOR YOUR RAILING

It's easy to maintain the great look of your railing. Like anything exposed to the elements, your railing or fence will get dirty, but in most cases you can simply spray the dirt off with your garden hose. For more stubborn dirt or stain removal, follow these simple instructions:

NOTE: BE SURE TO PROTECT SHRUBBERY FROM DIRECT CONTACT WITH CLEANING AGENTS.

Stubborn Dirt

1. Use a slightly moist Mr. Clean Magic Eraser Cleaning Pad® to scrub your railing or fence. This should remove most stains.
2. Use an ordinary soft bristle wash brush and scrub your railing or fence just like you would wash your car.
3. If the dirt is difficult to remove, such as soot found in industrial areas, wash the railing or fence with a solution made up of the following:
1/3 cup powder detergent (e.g. Tide, Fab, or equivalent powder detergent)
2/3 cup household cleaner (e.g. Soilax, Spic & Span or equivalent)
1 gallon of water
4. If mildew is a problem in your area add 8 fluid ounces of liquid laundry bleach to above solution.
5. When washing your railing or fence, prevent streaking by starting at the bottom and working up to the top.
6. If stubborn stains exist, follow the precautionary labeling instructions on the cleaning agent container.

Stain Removal

1. Light oils and greases, heavy grease, caulking compounds, wax, crayon, asphalt, tars, etc.:
 - a. Use a slightly moist Mr. Clean Magic Eraser Cleaning Pad® scrub your railing or fence.
 - b. Cleaning Agents: Mineral spirits, VMP naptha, auto tar remover.
 - c. Preparation: Remove excess with plastic or wood scraper.
 - d. Special cleaning procedures: Use soft cloth to apply mineral spirits.*

* Maintain light pressure to avoid polishing stained area. After removing stain, rinse area thoroughly with clean water.

2. Inks (marking), nail polish, paint, lipstick, gum:
 - a. Cleaning agents: Cleaning fluid (Trichloroethylene)
 - b. Preparation: Remove excess with plastic or wood scraper. Chill gum to remove excess.
 - c. Special cleaning procedures: Use soft cloth to apply cleaning fluid*.

* Maintain light pressure to avoid polishing stained area. After removing stain, rinse area thoroughly with clean water.

3. Rust stains:
 - a. Cleaning agents: Oxalic acid, auto radiator cleaner, Bright bowl), Ridco-Rust
 - b. Preparation: Make solution of 1 tablespoon of oxalic acid crystals to 1 cup warm water.
 - c. Special cleaning procedures: Apply oxalic acid solution with soft bristle brush. Wipe with damp cloth and then flush with rust free water (use rubber gloves and eye protection).

4. Stubborn Stains:
 - a. Use a slightly moist Mr. Clean Magic Eraser Cleaning Pad® scrub your railing or fence.
 - b. Cleaning agents: Xylene, Lacquer Thinner procedure.
 - c. Preparation: Try procedures 1, 2, or 3. If they don't remove the stains, then use this procedure.
 - d. Dampen small section of cloth with xylene. Rub vigorously on the affected area.*

* Maintain light pressure to avoid polishing stained area. After removing stain, rinse area thoroughly with clean water.

LIMITED LIFETIME, 20 YEAR LIMITED & 15 YEAR LIMITED WARRANTY TERMS, CONDITIONS AND LIMITATIONS

LIMITED LIFETIME WARRANTY

Fairway Architectural Railing Solutions (FAIRWAY®) warrants its cellular PVC, aluminum, fence, vertical support systems and handrail products subject to the conditions and limitations listed herein, to be free from defective workmanship and materials, and when subject to normal and proper use, it is further warranted against surface peeling, rot, ground insects, splitting, corrosion, flaking, rusting and blistering, abnormal weathering or abnormal discoloration under conditions of normal use and service. FAIRWAY warrants only those products manufactured and sold under the FAIRWAY or "By FAIRWAY" name. The Limited Lifetime warranty extends only to the original purchaser according to terms specified herein.

EXCLUSIONS: FAIRWAY shall not be liable for and this warranty does not apply to any terms, failure, defect or damage resulting from or connected with the following:

- A. Defects not caused by FAIRWAY (for example, but not limited to: accidents, misuse, improper applications or installations contrary to industry or FAIRWAY standards).
- B. Product that has been painted or had its surface treated with other than approved chemicals. Refer to Maintenance Tips and Cleaning.
- C. Product subject to impact of foreign objects, tornado, hurricane, other violent storms, fire, air pollutants, normal weathering of surfaces, abnormal discoloration due to improper maintenance, discontinuation of products including colors or any other acts of God.
- D. Improper installation of FAIRWAY products or defects caused by their installation.
- E. FAIRWAY Limited Lifetime Warranty will not be applicable for products that are covered under a specific and separate warranty or duration.
 - FAIRWAY Grand View Railing Acrylic In-fill and Cable Railing - Warranty coverage period limited to 10-year Limited Warranty (under provisions and exclusions herein).
 - FAIRWAY Mesh In-fill - Warranty coverage period limited to 15-year Limited Warranty (under provisions and exclusions herein).
 - FAIRWAY Horizontal Baluster In-fill - Warranty coverage period limited to 10-year Limited Warranty (under provisions and exclusions herein).
 - FAIRWAY Aluminum Balusters - Warranty coverage period limited to separate published provisions under the "SOLUTIONS® Baluster Limited Warranty."
 - FAIRWAY Solar Caps - Warranty coverage period is limited to 2-year Limited Warranty under provisions and exclusions herein).
 - CP300 Composite Rail Systems - Warranty coverage period is limited to 20-year Limited Warranty (under provisions and exclusions herein).
- F. Installation of FAIRWAY railing products in a commercial, institutional or multi-family residential environment or application shall limit the duration of this coverage to 20 years maximum from date of purchase. Further commercial limitation to 5 years for Grand View Acrylic and 10 years for CP300 Fx2 Composite Rail.
- G. FAIRWAY railing products sold, shipped or installed in single dwelling residence outside of the continental United States (CONUS) shall have a limited duration of this coverage to 30 years from in above.

15 YEAR LIMITED LIFETIME

1. Fairway Architectural Railing Solutions (FAIRWAY®) warrants its aluminum products subject to the conditions and limitations listed herein:

- A. If a problem occurs, FAIRWAY, at its sole discretion, may elect to repair or replace the defective part(s) of the railing or provide reimbursement limited to cost of materials at time of purchase. Due to normal aging and weathering of material, it may not be possible to perfectly match the colors of the old and new materials and therefore FAIRWAY is not responsible for any color differences that may occur. FAIRWAY is not responsible for discontinuance of a color.
2. FAIRWAY warrants only those products manufactured and sold under the A210 and A310 name. This 15 Year Limited Warranty extends only to the original purchaser according to terms specified herein. FAIRWAY shall not be liable for and this warranty does not apply to any terms, failure, defect or damage resulting from or connected with the following:
 - A. Defects not caused by FAIRWAY (for example; not limited to accidents, misuse, improper applications or installations contrary to industry or A210 and A310 standards).
 - B. Product that has been painted or had its surface treated or cleaned with an abrasive chemical or material.
 - C. Product subject to impact of foreign objects; tornado, hurricane, other violent storms, fire, air pollutants, normal weathering of surfaces, abnormal discoloration due to improper maintenance or any other acts of God.
 - D. Improper installation of A210 and A310 or defects caused by their installation.
 - E. A210 and A310 15 Year Limited Warranty will not be applicable for products that are covered by a specific and separate warranty of duration.
 - F. Products sold, shipped or installed outside of the Continental United States shall have a limited duration of this coverage to 10 years from the date of purchase.
 - G. FAIRWAY 15-yr Limited Lifetime Warranty will not be applicable for products that are covered under specific and separate warranty or duration.

FAIRWAY® LIMITED LIFETIME & 15 YEAR LIMITED WARRANTY REGISTRATION PROCESS: Warranty registration can be accomplished electronically by visiting www.fairwayrailing.com/warranty-registration/ and registering within thirty (30) days after completion of installation of products in order for purchaser to be eligible for coverage under warranty terms. **NOTE: PROOF OF PURCHASE IS NECESSARY TO EXERCISE CLAIMS AND REMEDIES FOR ANY OCCASION. PLEASE SAFEGUARD ACCORDINGLY.** Upon receipt of all necessary information we will process and return a digital copy within thirty (30) days. The warranty will be certified and issued in PDF format to the email address supplied at the time of registration. If email is not available a hard copy will be mailed to the supplied address in lieu of the digital document. **CLAIMS AND REMEDIES:** A claim under this warranty must be reported in writing with proof of purchase to: Fairway Architectural Railing Solutions, P.O. Box 37, Mount Joy, PA 17552, within thirty (30) days of the date that the defect is first discovered or reasonably could be discovered. A reasonable time should be allowed for inspection purposes, or at FAIRWAY's option, shipment of a sample to the above address for examination of the alleged defective product. FAIRWAY shall be the sole judge of whether or not the material is defective and whether the defect is due to manufacturing defects. If after its inspection, FAIRWAY determines the claim is in accordance with the terms of this Limited Warranty, FAIRWAY agrees at its option to replace the section or part of the product, or refund the prevailing cost of the product in your geographical area at the time of replacement or the original purchase price, whichever shall be less. This warranty does not cover the cost of removal of any defective products or the cost of installation of any replacement product furnished under the terms of the warranty. Incidental or consequential damages and resulting cost incurred as a result of a coverage claim are excluded and will not be paid. Statements, remarks, agreements, representations, promises or understandings, oral or written, contrary to the terms contained herein, even those made by an agent of FAIRWAY, will be recognized as neither implied warranties nor those of merchantability or fitness for use of specific applications. Some states may not allow the limitation of incidental or consequential damages or limitations on how long an implied warranty lasts, so many of the limitations may not apply to you. This warranty gives specific rights and there may also be other legal rights which vary from state to state. By acceptance and use of this product, purchaser agrees, that FAIRWAY liability and the purchaser's exclusive remedy for breach of any warranty shall be limited in all events to replacement of any section or part of this product which is found to be defective and shall be returned to FAIRWAY.

INSTALLER

Leave this page with property owner or manager.

PROPERTY OWNER/MANAGER

Register warranty at FairwayRailing.com/warranty-registration.